

HYDRAULIC SYSTEM



Profilex s.a.

6b, Z.I. In den Allern
L-9911 Troisvierges
Phone LU : +352 99 89 06
Phone BE : +32 28 88 16 29
Fax : +352 26 95 73 73

info@profilex-systems.com
www.profilex-systems.com

Technical Data/Items supplied

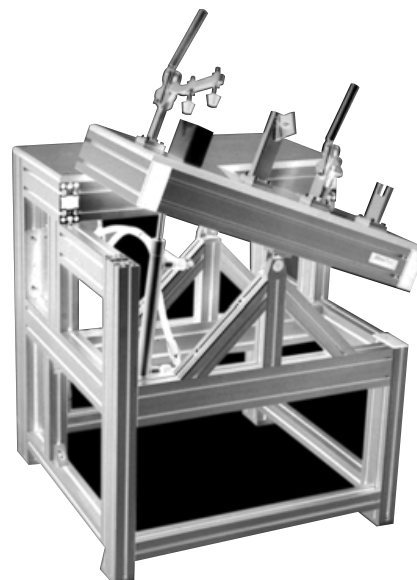
- Hydraulic hand pump for 1 to 6 cylinders
- Cylinders with 150 - 500 mm stroke
- Hydraulic tubes PA 4 mm
- Single-acting cylinders
- Minimum load for return ~ 5 kg
- Temperature from -20°C to + 45°C

Application

- Lifting and lowering of tables, work benches, terminals etc.

Assembly

- Screw pump at desired position onto the profile groove with screws M6
- Fasten cylinder into aluminium profile "S" with adaptor rings
- Attach cylinder onto profile groove with adaptor plate



Available special models and accessories

- Attachment parts for pumps and add-on cylinders according to customer request
- Attachment set 45 for add-in cylinder **part no. 27.0005/0** for all profiles with bore \varnothing 32 except for profile 90 x 90 S and 90 x 180 S. For these, please use attachment set 90, **part no. 27.0006/0**
- Service kit with oil, screw connections, special spanner, hose cutter, and filling injector

Use great caution when working on the hydraulics. To avoid penetration of air into the hydraulic system, we recommend having this work performed by us.



HYDRAULIC SYSTEM

COMPLETE SYSTEM WITH ADD-ON CYLINDER LA
COMPLETE SYSTEM WITH ADD-IN CYLINDER LB

Complete system with add-on cylinder LA – manually

PUMP	PA	PA	PB	PB	PB	PB
SYSTEM LOAD	150 kg	300 kg	350 kg			
NUMBER OF CYLINDERS	1	2	3	4	5	6
LA 150 MAN.	27.0118/1	27.0118/2	27.0118/3	27.0118/4	27.0118/5	27.0118/6
LA 200 MAN.	27.0122/1	27.0122/2	27.0122/3	27.0122/4	27.0122/5	27.0122/6
LA 300 MAN.	27.0126/1	27.0126/2	27.0126/3	27.0126/4	27.0126/5	27.0126/6
LA 400 MAN.	27.0130/1	27.0130/2	27.0130/3	27.0130/4	27.0130/5	27.0130/6
LA 500 MAN.	27.0134/1	27.0134/2	27.0134/3	27.0134/4	27.0134/5	27.0134/6

Complete system with add-on cylinder LA – electrically

LA 150 ELECTR.	27.0119/1	27.0119/2	27.0119/3	27.0119/4	27.0119/5	27.0119/6
LA 200 ELECTR.	27.0123/1	27.0123/2	27.0123/3	27.0123/4	27.0123/5	27.0123/6
LA 300 ELECTR.	27.0127/1	27.0127/2	27.0127/3	27.0127/4	27.0127/5	27.0127/6
LA 400 ELECTR.	27.0131/1	27.0131/2	27.0131/3	27.0131/4	27.0131/5	27.0131/6
LA 500 ELECTR.	27.0135/1	27.0135/2	27.0135/3	27.0135/4	27.0135/5	27.0135/6



Complete system with add-in cylinder LB – manually

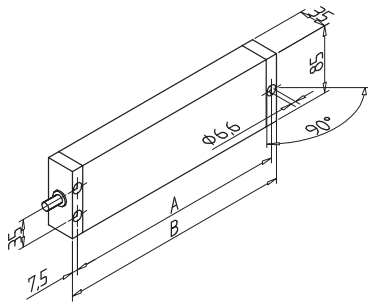
PUMP	PA	PA	PB	PB	PB	PB
SYSTEM LOAD	150 kg	300 kg	350 kg			
NUMBER OF CYLINDERS	1	2	3	4	5	6
LB 150 MAN.	27.0120/1	27.0120/2	27.0120/3	27.0120/4	27.0120/5	27.0120/6
LB 200 MAN.	27.0124/1	27.0124/2	27.0124/3	27.0124/4	27.0124/5	27.0124/6
LB 300 MAN.	27.0128/1	27.0128/2	27.0128/3	27.0128/4	27.0128/5	27.0128/6
LB 400 MAN.	27.0132/1	27.0132/2	27.0132/3	27.0132/4	27.0132/5	27.0132/6
LB 500 MAN.	27.0136/1	27.0136/2	27.0136/3	27.0136/4	27.0136/5	27.0136/6

Complete system with add-in cylinder LB – electrically

LB 150 ELECTR.	27.0121/1	27.0121/2	27.0121/3	27.0121/4	27.0121/5	27.0121/6
LB 200 ELECTR.	27.0125/1	27.0125/2	27.0125/3	27.0125/4	27.0125/5	27.0125/6
LB 300 ELECTR.	27.0129/1	27.0129/2	27.0129/3	27.0129/4	27.0129/5	27.0129/6
LB 400 ELECTR.	27.0133/1	27.0133/2	27.0133/3	27.0133/4	27.0133/5	27.0133/6
LB 500 ELECTR.	27.0137/1	27.0137/2	27.0137/3	27.0137/4	27.0137/5	27.0137/6

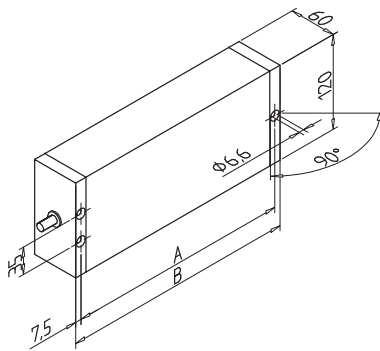
HYDRAULIC SYSTEM

HYDRAULIC PUMPS PA FOR 1-2 CYLINDER
 HYDRAULIC PUMPS PB FOR 3-6 CYLINDER
 ADD-ON CYLINDER LA



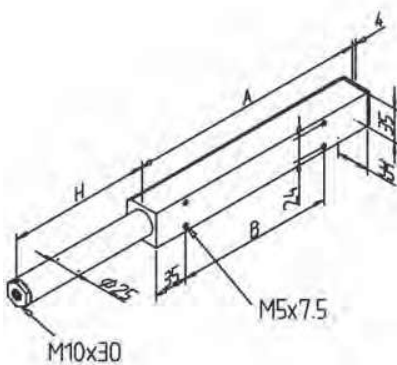
Hydraulic pumps PA for 1-2 Cylinder

TYPE	Stroke H mm	Dimension A mm	Dimension B mm
PA 150	150	283,5	298,5
PA 200	200	343,5	358,5
PA 300	300	465,5	480,5
PA 400	400	585,5	600,5
PA 500	500	707,5	722,5



Hydraulic pumps PB for 3-6 Cylinder

TYPE	Stroke H mm	Dimension A mm	Dimension B mm
PB 150	150	283,5	298,5
PB 200	200	343,5	358,5
PB 300	300	465,5	480,5
PB 400	400	585,5	600,5
PB 500	500	707,5	722,5



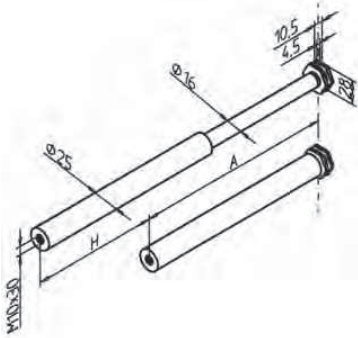
Add-on Cylinder LA

TYPE	Stroke H mm	Length A mm	Length B mm	lateral load kg max.
LA 150	150	252	165	130
LA 200	200	317	240	97
LA 300	300	442	340	65
LA 400	400	542	340	48
LA 500	500	667	450	29

For mounting on a variety of structures by means of adapter plates.

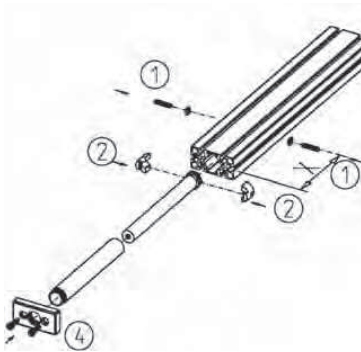
HYDRAULIC SYSTEM

ADD-IN CYLINDER LB
 ATTACHMENT SET 45 FOR ADD-IN CYLINDER
 ATTACHMENT SET 90 FOR ADD-IN CYLINDER



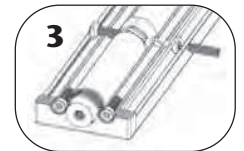
Add-on Cylinder LB

TYPE	Stroke H mm	Length A mm	lateral load kg max.
LB 150	150	235	130
LB 200	200	300	97
LB 300	300	425	65
LB 400	400	525	48
LB 500	500	650	29



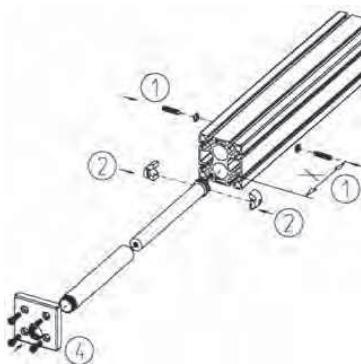
Attachment set 45 for add-in cylinder (part no. 27.0005/0)

Suitable for all stroke lengths and profile 45 x 90 S, 45 x 135 G and 45 x 180 G



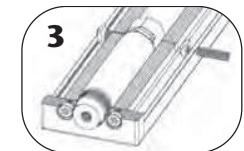
Installation

- 1) Bore Ø 8,5 mm in distance "X" from profile end
- 2) Place two holder pieces on cylinder and insert into the profile bore Ø 32 mm
- 3) Position holder pieces according to dimension table (below) and drill, fix with set screw
- 4) Screw guide pipe into connection plate, insert into profile and tighten



Attachment set 90 for add-in cylinder (part no. 27.0006/0)

Suitable for all stroke lengths and for profile 90 x 90 S and 90 x 180



Installation

- 1) Bore Ø 8,5 mm in distance "X" from profile end
- 2) Place two holder pieces on cylinder and insert into the profile bore Ø 32 mm
- 3) Position holder pieces according to dimension table (below) and drill, fix with set screw
- 4) Screw guide pipe into connection plate, insert into profile and tighten

Table of Dimensions for Attachment Set 45 and 90

CYLINDER	LB 150	LB 200	LB 300	LB 400	LB 500
DISTANCE X (mm)	224	289	414	514	639



Profilex s.a.
 6b, Z.I. In den Allem
 L-9911 Troisvierges
 Phone LU : +352 99 89 06
 Phone BE : +32 28 88 16 29
 Fax : +352 26 95 73 73
info@profilex-systems.com
www.profilex-systems.com