

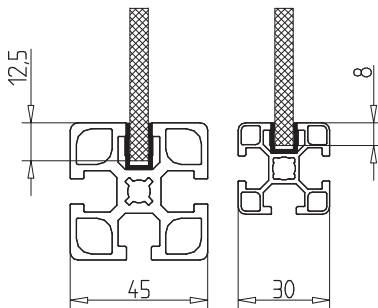


Profilex s.a.
 6b, Z.I. In den Allern
 L-9911 Troisvierges
 Phone LU : +352 99 89 06
 Phone BE : +32 28 88 16 29
 Fax : +352 26 95 73 73
info@profilex-systems.com
www.profilex-systems.com

FITTING OF PANEL ELEMENTS

MOUNTING ELEMENTS INTO THE PROFILE GROOVE

There are two assembly modes that have to be distinguished: the mounting of elements into the profile groove and the subsequent attachment of panel elements. The mounting of elements into the groove has to be pre-planned. It is recommended to put together elements to a complete frame that can be fitted into existing constructions. This assembly method is of particularly use for large panel elements, corrugated mesh and sealing constructions. Subsequent mounting of panel elements is easier to perform and causes less damage.

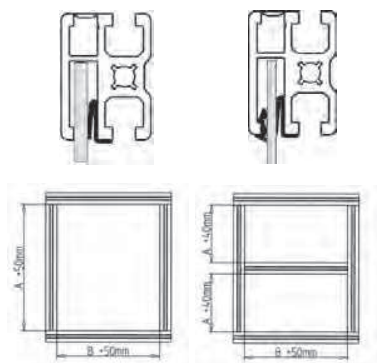


Cover profiles

Panel elements of max. 6 mm thickness can be mounted directly into the profile groove by using a PVC cover profile.

Allow an enlargement of panel elements in x and y direction of:

- groove system 30: +16 mm
- groove system 45: +25 mm

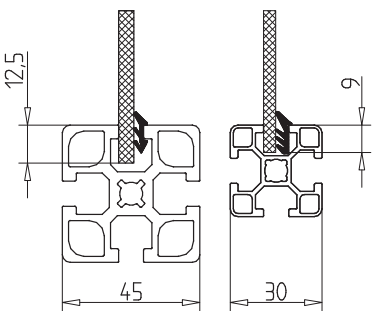


Clamp profile 45 x 32

The clamp profile 45 x 32 combines the properties of the construction profiles and the secure fixing for panel elements of max. 8 mm thickness. This profile is best suited for large elements and corrugated mesh. The ready assembled frames are subsequently fixed to the stand profiles with guard unit fixing angles. Quick removal of the units is ensured.

Allow an enlargement of panel elements in x and y direction of:

- 1) Simple frames: +50 mm
- 2) Frames with intermediate brackets: +40 mm

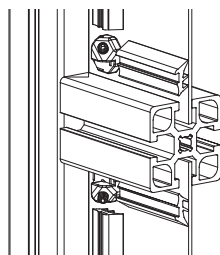


Insert seals

Sheet material, plastic panels, and panes etc. from 2 to 6 mm can easily be mounted and sealed with insert seal 2, 4, 5 and 6. The seals are subsequently pressed into free space between panel element and profile groove with a blunt tool made from wood or plastic.

Allow an enlargement of panel elements in x and y direction of:

- groove system 30: +18 mm with Insert seal 30
- groove system 45: +25 mm with Insert seal 2/4/5/6

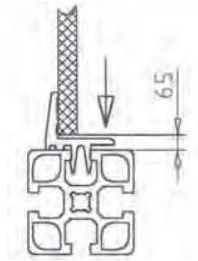


Grounding / conductive connection

Please use our grounding block **part no. 22.1163/0** for conductive connections of aluminum or steel plates with profile frames (thickness of 1.5 mm - 2.5 mm).

One grounding block is sufficient for each surface element. In conjunction with our plug seal 2, the sheet is fixed in panel frames.

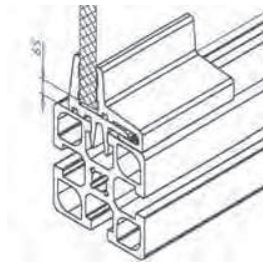
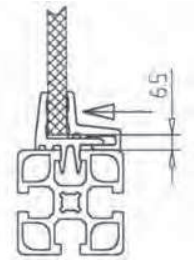
SUBSEQUENT MOUNTING OF PANEL ELEMENTS



Clamp profiles PVC

For easy fitting of panel elements of all kinds into existing frames without free space between frame and panel. Suitable for panel elements of max. 8 mm, also for corrugated mesh.

Calculation of pane size: Clear opening - 13 mm

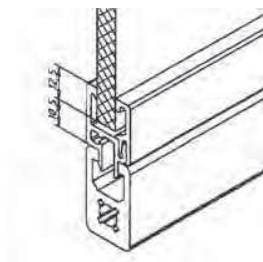
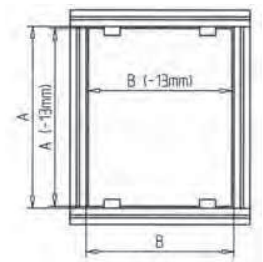


Panel holder

For easy and economic fitting of panel elements into existing frames. The panel holders made are of two elements. Best suited for all panel elements of max. 8 mm thickness, except for corrugated mesh.

Calculation of pane size:

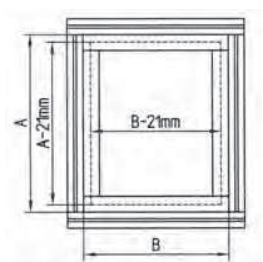
Clear opening - 13 mm (6,5 mm free space circumferentially)



Panel clamp profile

For an easy and cost efficient assembling of panel elements (also for subsequent assembling). No mitre cuts necessary. Suitable for panel elements up to a thickness of 8 mm.

For a tight fastening of panel elements < 8 mm use insert seal.



FITTING OF PANEL ELEMENTS

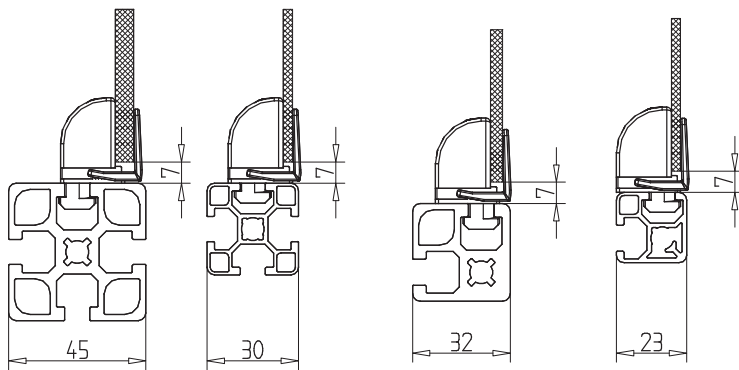
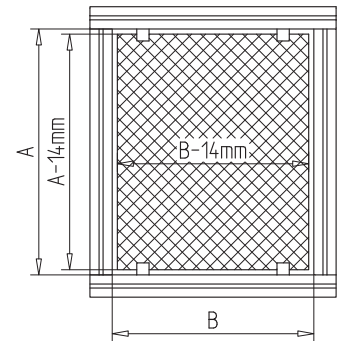
SUBSEQUENT MOUNTING OF PANEL ELEMENTS

Clamp block

Simple and economical fastening of panel elements. The clamp block consists of block and clip. Suitable for all panel elements from 2 - 6 mm thickness. Not for mesh.

Calculation of pane size:

Clear opening - 14 mm (7 mm free space circumferentially)

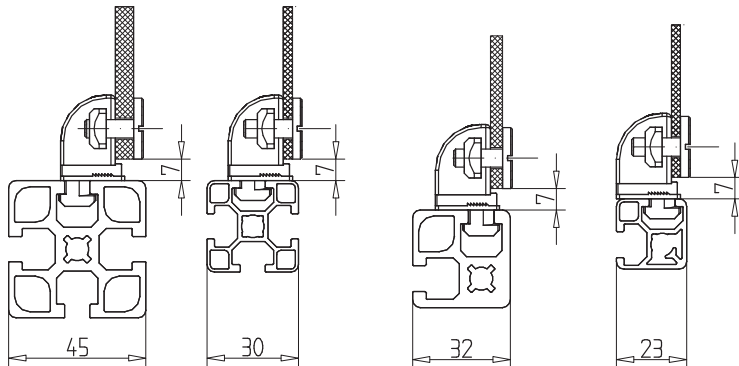
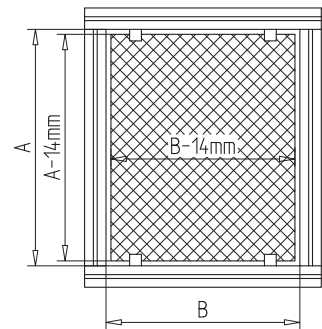


Screw block

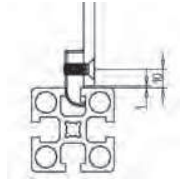
Suitable for all kind of panel elements up to 6 mm thickness, except mesh.

Calculation of pane size:

Clear opening - 14 mm (7 mm free space circumferentially)

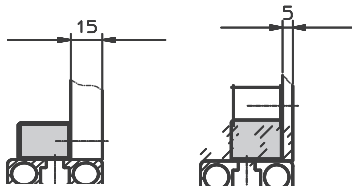
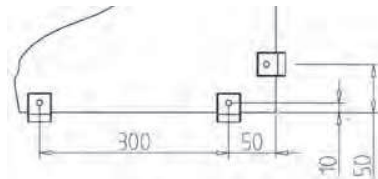


SUBSEQUENT MOUNTING OF PANEL ELEMENTS



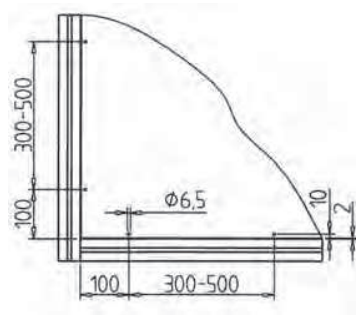
Thread socket

Secure and easy fastening of panel elements of all kinds, except for corrugated mesh. Insert the socket into profile grooves in 300 mm grid. Select screw form and length appropriate to thickness and type of panel element.



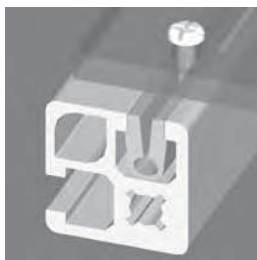
Multiblock

The multiblocks are installed in the clear space of the frame construction at a spacing of approx. 300 mm using cylinder-head screws M6 and rhombus nuts. Best suited for compound sheet materials. Material of 5-15 mm can be attached bundled. Select screw form and length appropriate to type and thickness of panel element. Bore holes for the attachment screws in the panel elements 6.5 mm in diameter and with 10 mm distance to edge.



Calculation of pane size:

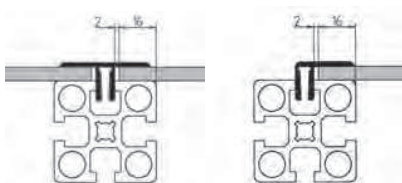
Clear opening - 4 mm (~2 mm free space circumferentially)



Screw socket profile

Material: PVC

Easy fastening of panels or panel elements at any point with commercial-type self-tapping screws.



Panel-clamping profile

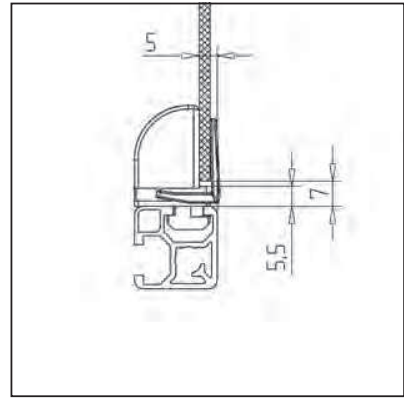
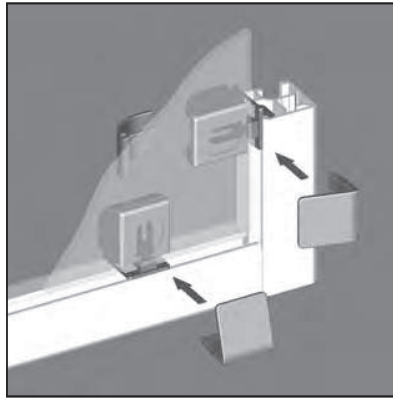
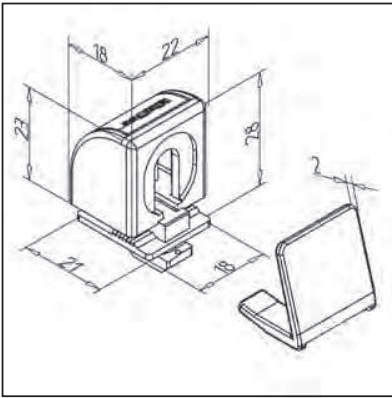
Suitable for panel elements from 2 to 10 mm.

Insert fixing bores Ø 5.5 mm for set screw M5 in ~250 mm grid. Press into profile groove and fix with set screw M5 x 16.

Best suited for panels, corrugated mesh and expanded metal.

PANEL CLAMP BLOCK 23

part no. 22.1235/0



TECHN. DATA / ITEMS SUPPLIED

- ABS grey
- Weight 0,008 kg

APPLICATIONS

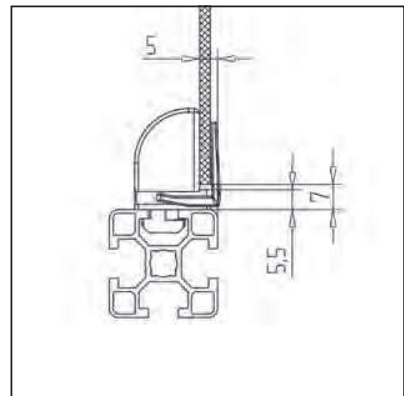
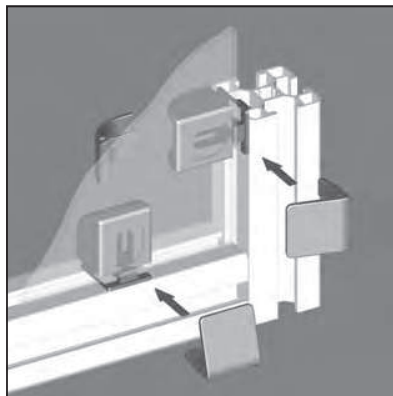
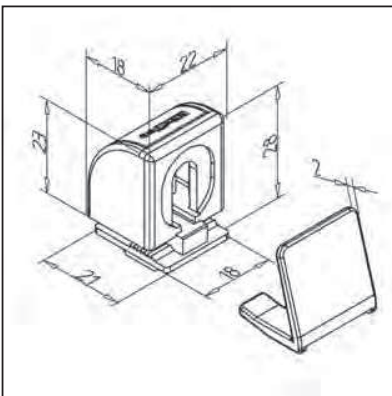
- Suitable for all profiles 30
- Subsequent fitting of panel elements from 2 to 6 mm thickness
- Circulating air gap 7 mm

ASSEMBLY

- Insert socket into profile groove
- Insert panel elements
- Press on clip
- **Disassembly:**
Lift clip with a screwdriver

PANEL CLAMP BLOCK 30

part no. 22.1230/0



TECHN. DATA / ITEMS SUPPLIED

- ABS grey
- Weight 0,008 kg

APPLICATIONS

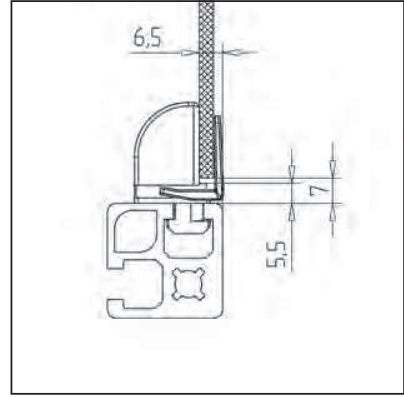
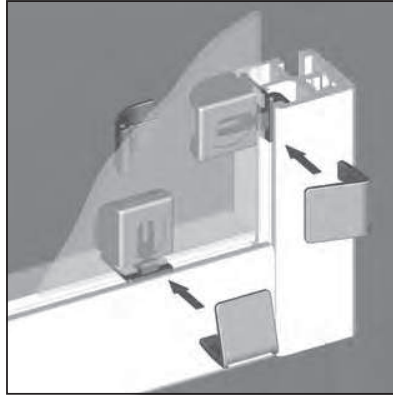
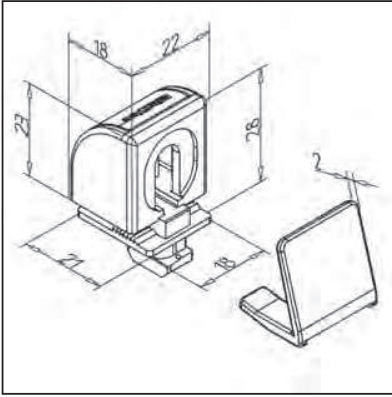
- Suitable for all profiles 30
- Subsequent fitting of panel elements from 2 to 6 mm thickness
- Circulating air gap 7 mm

ASSEMBLY

- Insert socket into profile groove
- Insert panel elements
- Press on clip
- **Disassembly:**
Lift clip with a screwdriver

PANEL CLAMP BLOCK 32

part no. 22.1245/0



TECHN. DATA / ITEMS SUPPLIED

- ABS grey
- Weight 0,008 kg

APPLICATIONS

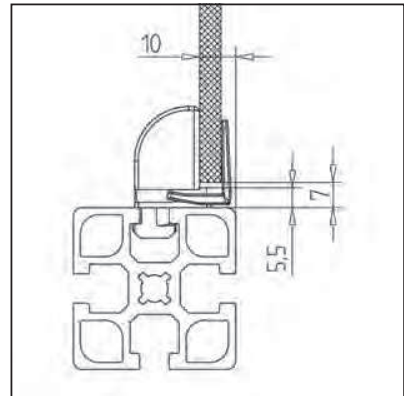
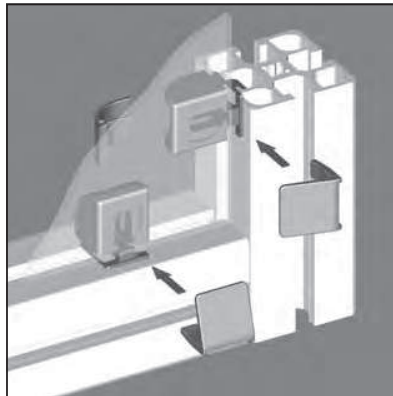
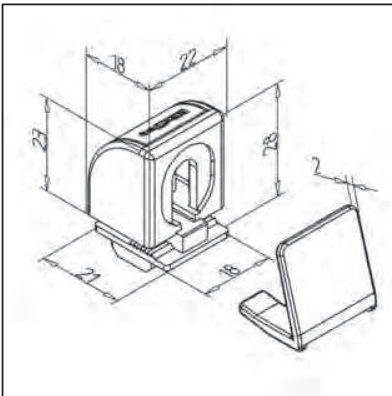
- Suitable for all profiles 30
- Subsequent fitting of panel elements from 2 to 6 mm thickness
- Circulating air gap 7 mm

ASSEMBLY

- Insert socket into profile groove
- Insert panel elements
- Press on clip
- **Disassembly:**
Lift clip with a screwdriver

PANEL CLAMP BLOCK 45

part no. 22.1240/0



TECHN. DATA / ITEMS SUPPLIED

- ABS grey
- Weight 0,008 kg

APPLICATIONS

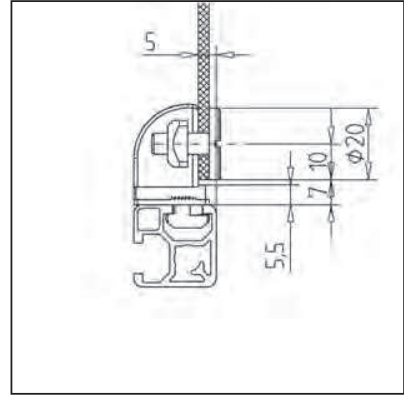
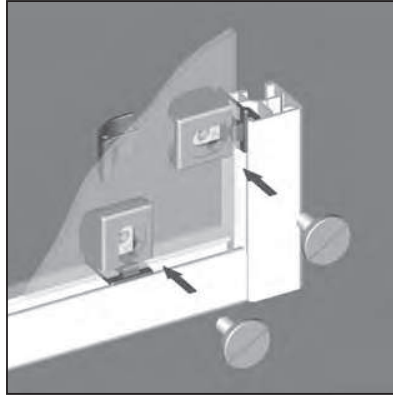
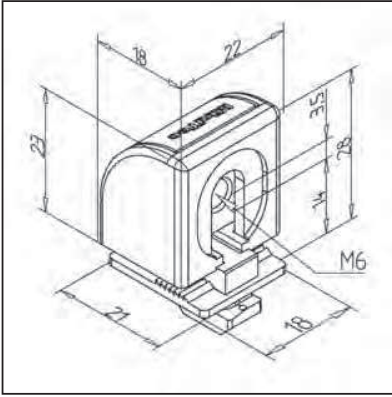
- Suitable for all profiles 30
- Subsequent fitting of panel elements from 2 to 6 mm thickness
- Circulating air gap 7 mm

ASSEMBLY

- Insert socket into profile groove
- Insert panel elements
- Press on clip
- **Disassembly:**
Lift clip with a screwdriver

SCREW BLOCK 23

part no. 22.1255/0



TECHN. DATA / ITEMS SUPPLIED

- ABS grey
- Nut M6, steel, zinc-plated
- Weight 0,011 kg
- Also available with thread size M4 / M5 / M8

APPLICATIONS

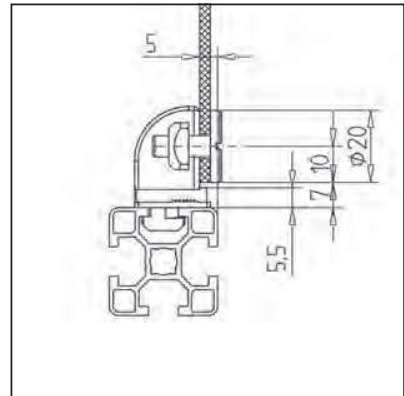
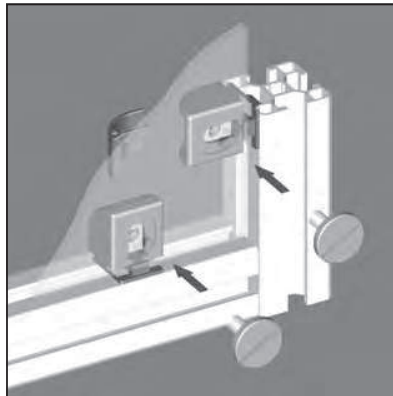
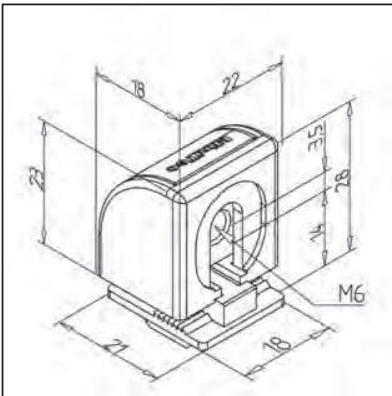
- Suitable for all profiles 30
- Subsequent fitting of panel elements from 2 to 6 mm thickness
- Circulating air gap 7 mm

ASSEMBLY

- Insert socket into profile groove
- Insert bored panel elements
- To screw panel elements
- Recommended flat head screw M6x12 **part no. 21.2074/0** 3 mm slice thickness or M6x16 **part no. 21.1246/0** for greater strength

SCREW BLOCK 30

part no. 22.1250/0



TECHN. DATA / ITEMS SUPPLIED

- ABS grey
- Nut M6, steel, zinc-plated
- Weight 0,011 kg
- Also available with thread size M4 / M5 / M8

APPLICATIONS

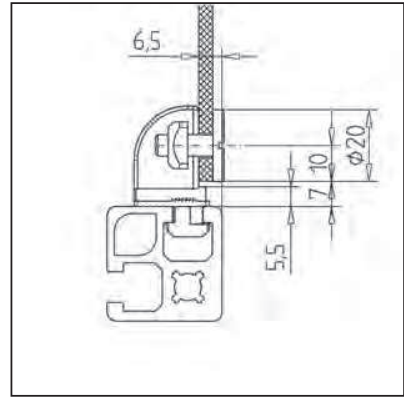
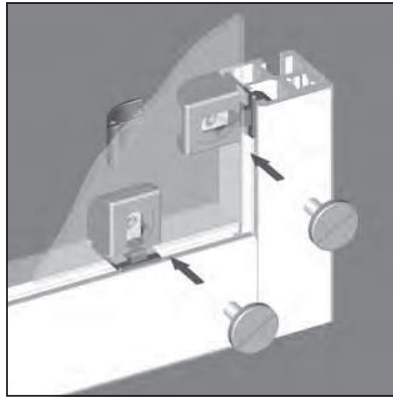
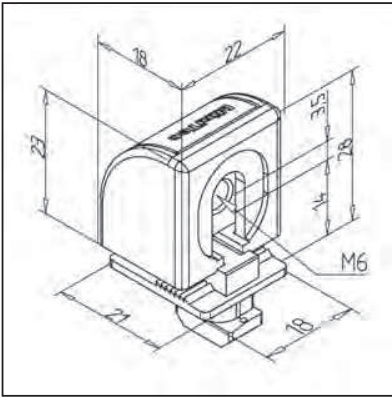
- Suitable for all profiles 30
- Subsequent fitting of panel elements from 2 to 6 mm thickness
- Circulating air gap 7 mm

ASSEMBLY

- Insert socket into profile groove
- Insert bored panel elements
- To screw panel elements
- Recommended flat head screw M6x12 **part no. 21.2074/0** 3 mm slice thickness or M6x16 **part no. 21.1246/0** for greater strength

SCREW BLOCK 32

part no. 22.1265/0



TECHN. DATA / ITEMS SUPPLIED

- ABS grey
- Nut M6, steel, zinc-plated
- Weight 0,011 kg
- Also available with thread size M4 / M5 / M8

APPLICATIONS

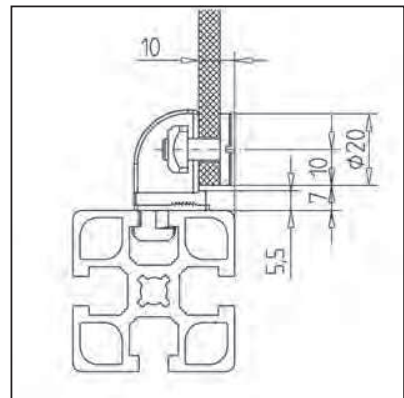
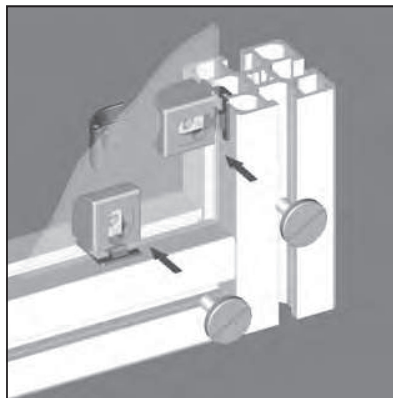
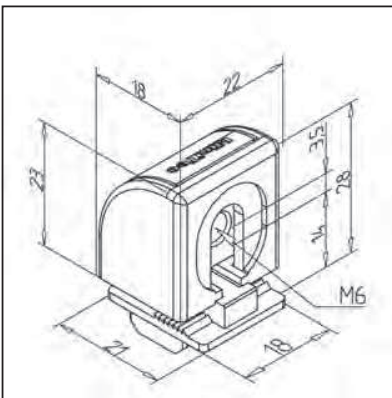
- Suitable for all profiles 45
- Subsequent fitting of panel elements from 2 to 6 mm thickness
- Circulating air gap 7 mm

ASSEMBLY

- Insert socket into profile groove
- Insert bored panel elements
- To screw panel elements
- Recommended flat head screw M6x12 **part no. 21.2074/0** 3 mm slice thickness or M6x16 **part no. 21.1246/0** for greater strength

SCREW BLOCK 45

part no. 22.1260/0



TECHN. DATA / ITEMS SUPPLIED

- ABS grey
- Nut M6, steel, zinc-plated
- Weight 0,011 kg
- Also available with thread size M4 / M5 / M8

APPLICATIONS

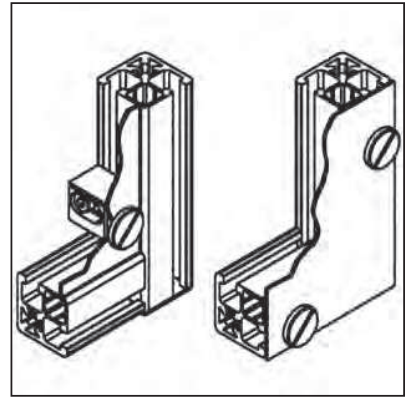
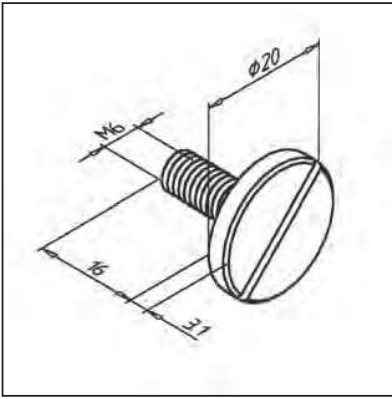
- Suitable for all profiles 45
- Subsequent fitting of panel elements from 2 to 6 mm thickness
- Circulating air gap 7 mm

ASSEMBLY

- Insert socket into profile groove
- Insert bored panel elements
- To screw panel elements
- Recommended flat head screw M6x12 **part no. 21.2074/0** 3 mm slice thickness or M6x16 **part no. 21.1246/0** for greater strength

PAN HEAD SCREW 16

part no. diverse



TECHN. DATA / ITEMS SUPPLIED

- Steel, zinc plated
- Screw head: $\varnothing 20$
- M6 x 12, part no. 21.2074/0
- M6 x 16, part no. 21.1246/0
- M6 x 20, part no. 21.1246/1
- Weight 0,010 kg

APPLICATIONS

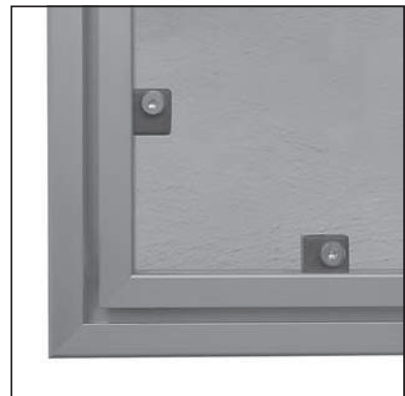
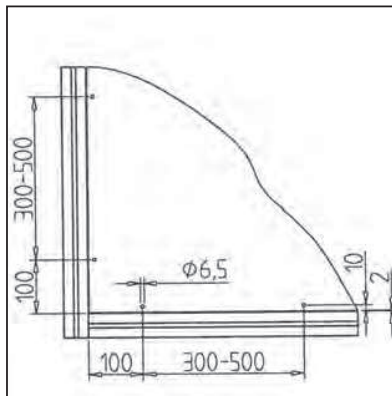
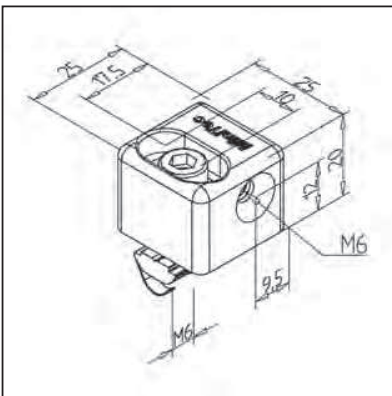
- Mounting of panel elements directly on profile groove or
- In connection with screw block 32 part no. 22.1112/0 or multiblock part no. 21.1355/0

ASSEMBLY

- Predrill panel elements: $\varnothing 6,5$ mm
- Recommend grid dimension: ca. 150 mm
- Edge distance: see screw block 32 and multiblock

MULTIBLOCK 30 GD

part no. 21.2220/0



TECHN. DATA / ITEMS SUPPLIED

- Aluminium GD, powder coated, grey
- Fastening kit
- Without pan head screw
- Weight 0,0316 kg

APPLICATIONS

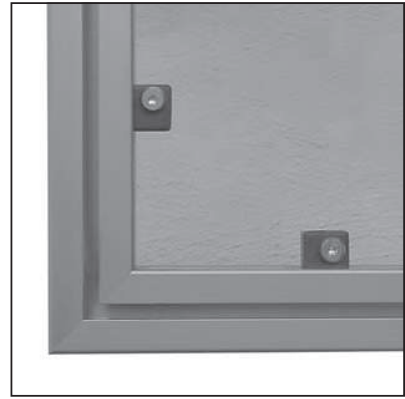
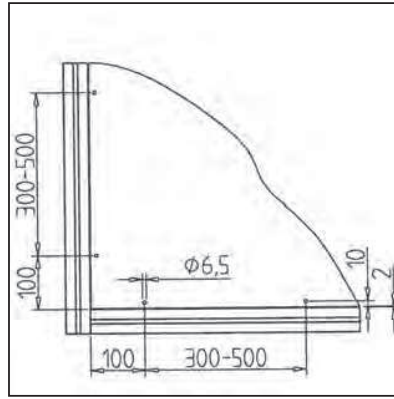
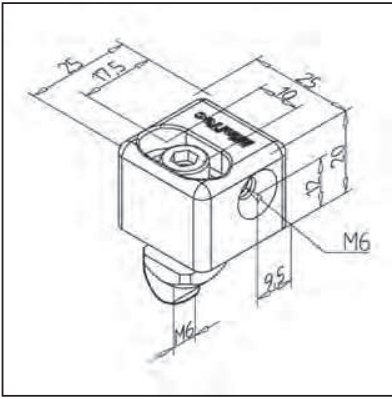
- Subsequent fitting of panel and add-on elements
- Flush installation of panels, thickness 6 to 7 mm

ASSEMBLY

- Subsequent fastening of panel elements with screws M6 or pan head screw
- Calculation of the panel element dimension: clear opening - 4 mm (~2 mm space afloat)
- Fixing bores $\varnothing 6,5$ mm, 10 mm distance from edge of the panel element

MULTIBLOCK GD

part no. 21.1355/0



TECHN. DATA / ITEMS SUPPLIED

- AL GD, powder coated, grey
- Fastening kit
- Without pan head screw
- Weight 0,035 kg

APPLICATIONS

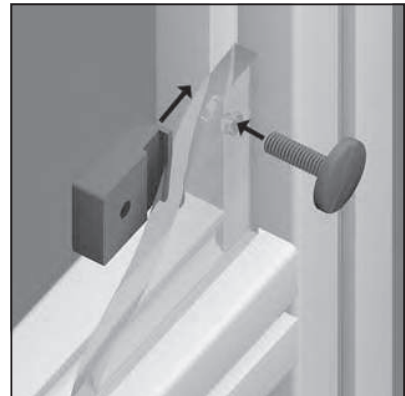
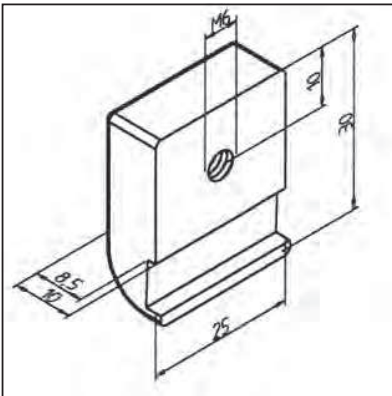
- Subsequent fitting of panel and add-on elements
- Flush installation of panels, thickness 5 to 15 mm

ASSEMBLY

- For all profile grooves
- Subsequent fastening of panel elements with screws M6 or pan head screw
- Calculation of the panel element dimension: see page 173
- Fixing bores Ø 6,5 mm for screws M6, 8 mm from edge of the panel element

THREAD SOCKET GD

part no. 21.1117/1



TECHN. DATA / ITEMS SUPPLIED

- Aluminium GD
- Without pan head screw
- Weight 0,018 kg

APPLICATIONS

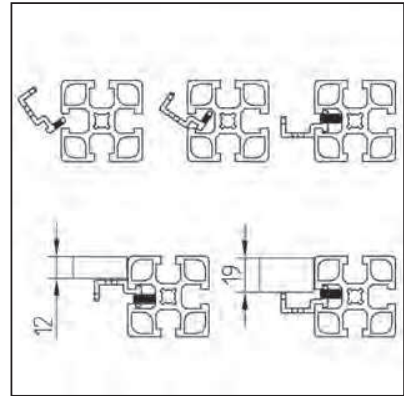
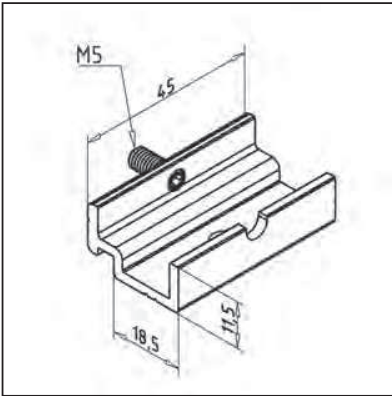
- Fastening of panel elements in profile frames
- Table tops

ASSEMBLY

- Insert the thread socket into profile groove
- Fasten the element with screws M6 or with pan head screw
- Edge distance: 10 mm
- Calculation of the panel element dimension: see page 173

MOUNTING BASE, PIVOTED

part no. 21.0036/0



TECHN. DATA / ITEMS SUPPLIED

- Aluminium, natural anodized

- Set screw M05

- Weight 0,016 kg

APPLICATIONS

- For placing and fasten table tops and surface elements

ASSEMBLY

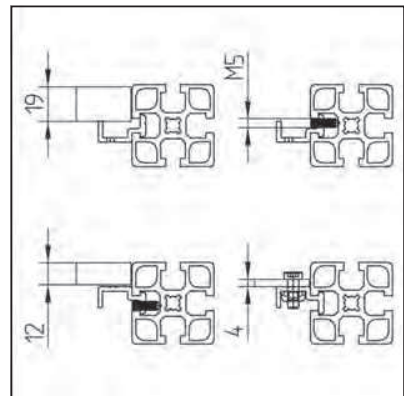
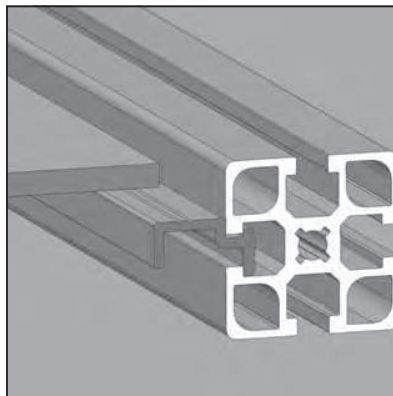
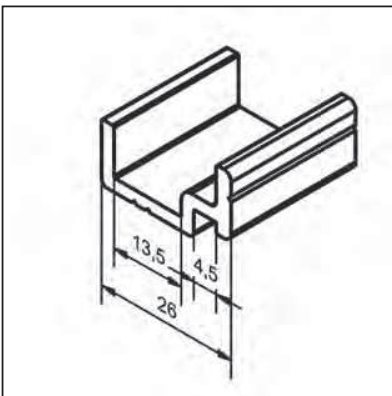
- Insertion into the profile groove

- Clamp with set screw

- No processing required

SUPPORT PROFILE

part no. 20.1121/0



TECHN. DATA / ITEMS SUPPLIED

- Aluminium, natural anodized

- Weight 0,339 kg/m

- Length 6 m

APPLICATIONS

- All types of safety equipment

- For installation of surface elements such as panels and plates up to a thickness of 19 mm

- Subsequent insertion

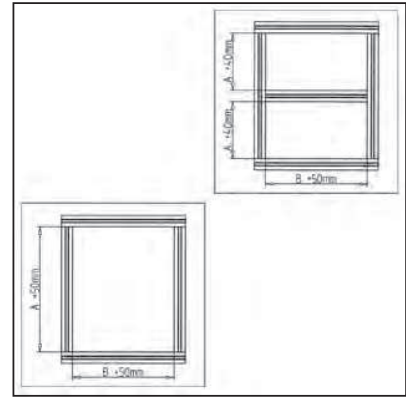
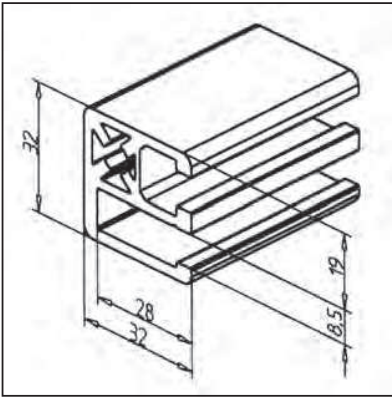
ASSEMBLY

- Swivel support profile in groove, if necessary to be fastened with set screw

- Surface element: clear opening x+y: -2 mm

CLAMP PROFILE 32 X 32

part no. 20.1070/0



TECHN. DATA / ITEMS SUPPLIED

- Ix =	5,024 cm ⁴
- Iy =	4,418 cm ⁴
- wx =	3,041 cm ³
- wy =	2,398 cm ³
- Weight	1,211 kg/m
- Length	6 m
- Packing unit	48 m

APPLICATIONS

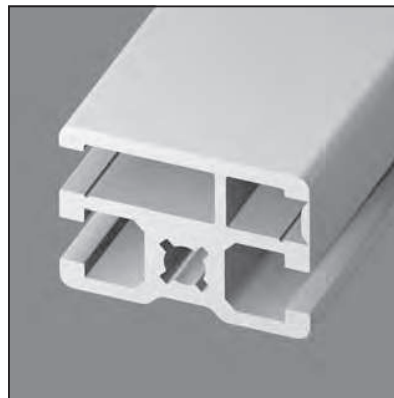
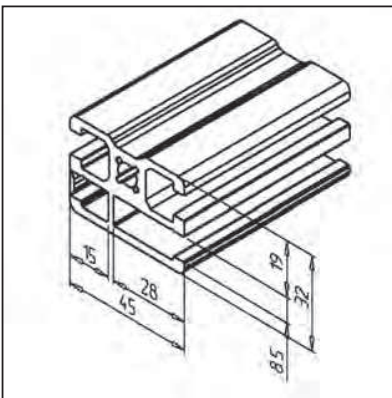
- All types of safety equipment
- For clamping surface elements such as corrugated mesh, panels or plates up to a thickness of 8 mm
- For large flexible panels, split panel into sections using a center bar of clamp profile 45x32

ASSEMBLY

- MiniTec power-lock fastener; no bores required
- No cut-outs in surface elements required
- Premount 3 sides of the frame
- Insert surface element and mount last profile strut
- Push in distance profile on the inside or knock in with a flat tool
- For panel elements < 4 mm mount additional insert seal

CLAMP PROFILE 45 X 32

part no. 20.1053/0



TECHN. DATA / ITEMS SUPPLIED

- Ix =	6,465 cm ⁴
- Iy =	9,521 cm ⁴
- wx =	3,999 cm ³
- wy =	4,119 cm ³
- Weight	1,615 kg/m
- Length	6 m
- Packing unit	48 m

APPLICATIONS

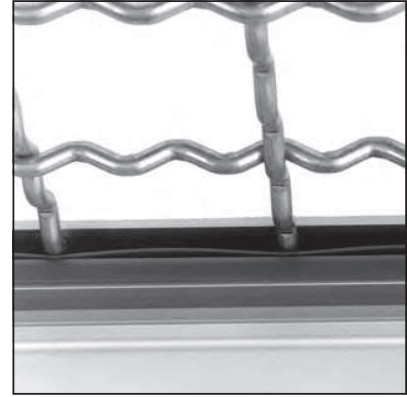
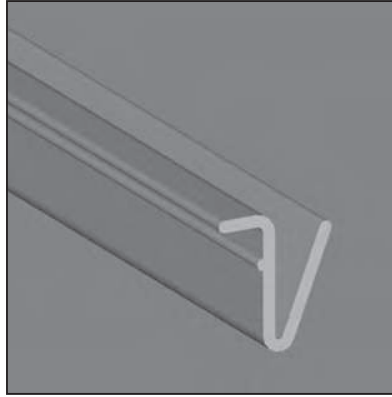
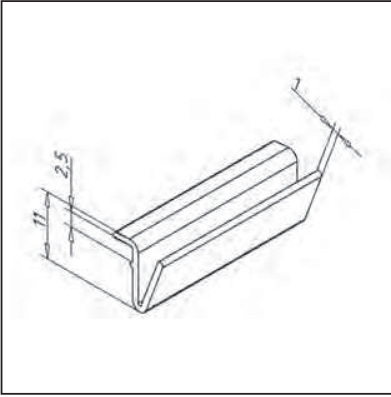
- All types of safety equipment
- For clamping surface elements such as corrugated mesh, panels or plates up to a thickness of 8 mm
- With larger protection fields intermediate rods from mounting rail 45 x 32 are to be used, in order to ensure sufficient security against squeezing the two dimensional elements out
- Additional struts of clamp profile 45 x 32 must be used for larger guarding elements to ensure sufficient protection against extrusion of surface element; detach covering strips of profile 45 x 32

ASSEMBLY

- MiniTec power-lock fastener
- No cut-outs in surface elements required
- Premount 3 sides of the frame
- Insert surface element and mount last profile strut
- Push in distance profile on the inside or knock in with a flat tool
- For panel elements < 4 mm mount additional insert seal

DISTANCE PROFILE 30

part no. 22.1158/0



TECHN. DATA / ITEMS SUPPLIED

- ABS, grey	
- Weight	0,02 kg/m
- Length	2 m

APPLICATIONS

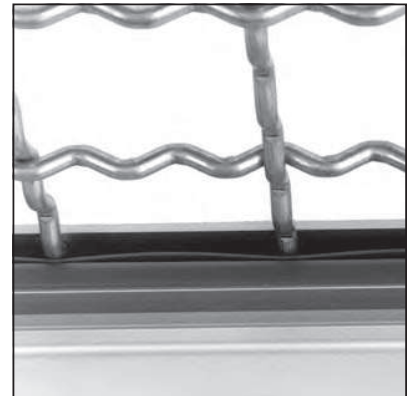
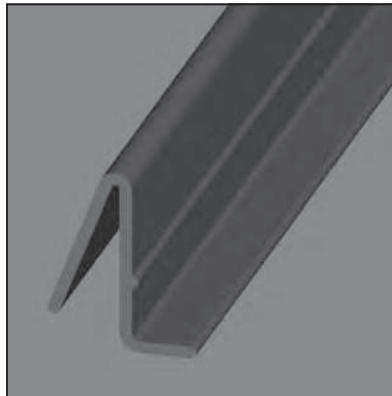
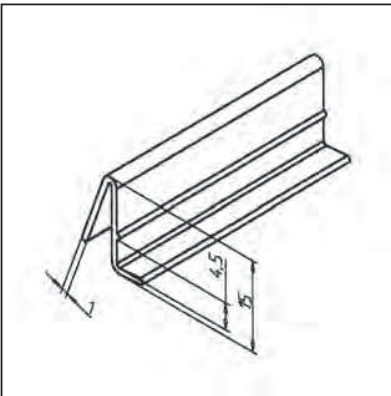
- For clamping surface elements such as corrugated mesh, panels and plates for profile series 30

ASSEMBLY

- Mount frame and panel elements
- Press in with suitable tool in space between panel element and profile

DISTANCE PROFILE

part no. 22.1039/0



TECHN. DATA / ITEMS SUPPLIED

- ABS, grey	
- Weight	0,055 kg/m
- Length	2 m

APPLICATIONS

- Spacing element to use with clamp profile 45 x 32 **part no. 20.1053/0** and clamp profile 32 x 32 **part no. 20.1070/0** to fix corrugated mesh or panel elements

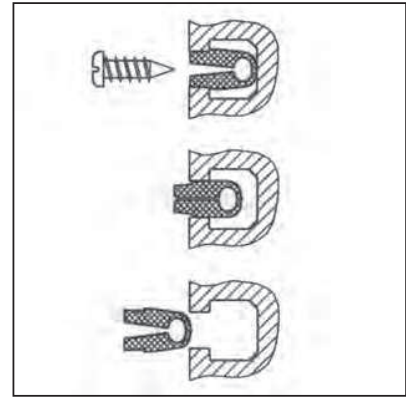
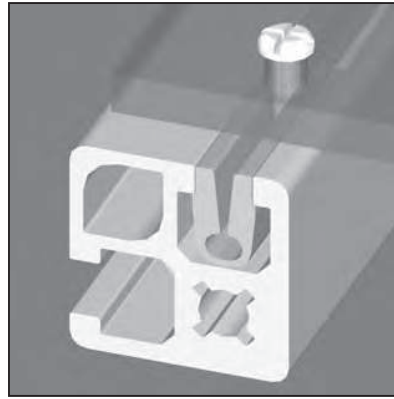
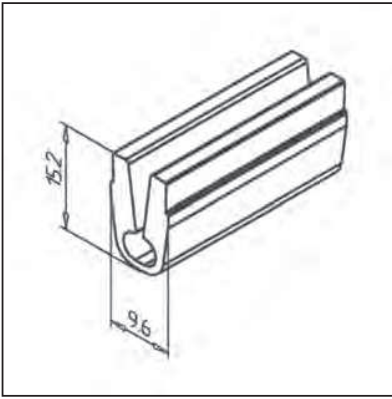
- Also for use with all other profiles to fix panel elements

ASSEMBLY

- Mount frame and panel elements
- Press in with suitable tool in space between panel element and clamp profile

SCREW SOCKET PROFILE

part no. 22.1076/0



TECHN. DATA / ITEMS SUPPLIED

- PVC, grey RAL 7012	
- Weight	0,118 kg/m
- Length	2 m

APPLICATIONS

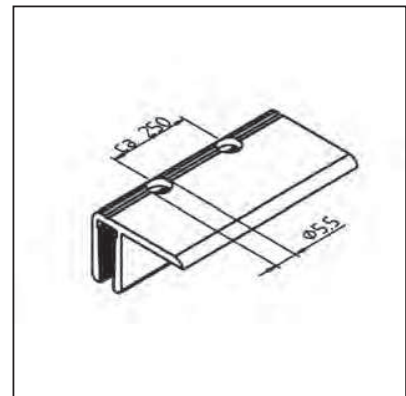
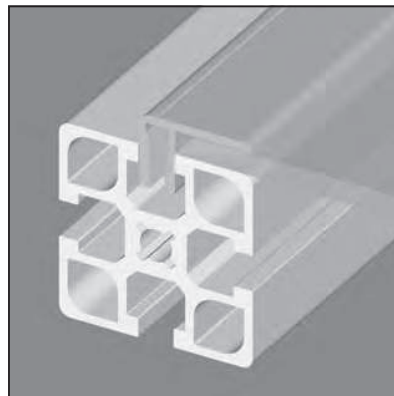
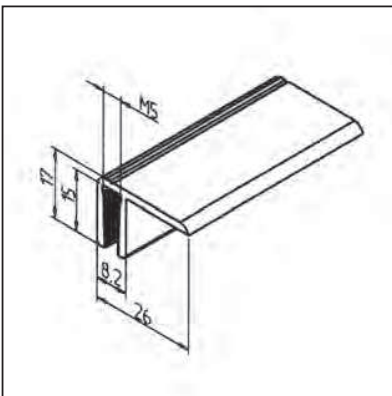
- Easy fastening of panels or panel elements at any point

ASSEMBLY

- Clip profile into groove
- Fasten element with commercial-type selftapping screws \varnothing 4-5 mm; Length min: 16 mm
- For material 1-6 mm, use self tapping screw 3,5 x 16 mm **part no. 21.1365/0**

PANEL CLAMPING PROFILE

part no. 20.1025/0



TECHN. DATA / ITEMS SUPPLIED

- Aluminium, anodized E6/EV1	
- Weight	0,260 kg/m
- Length	6 m

APPLICATIONS

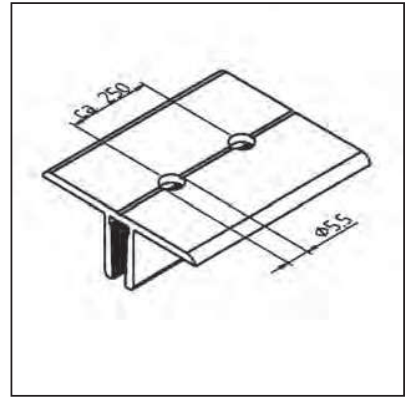
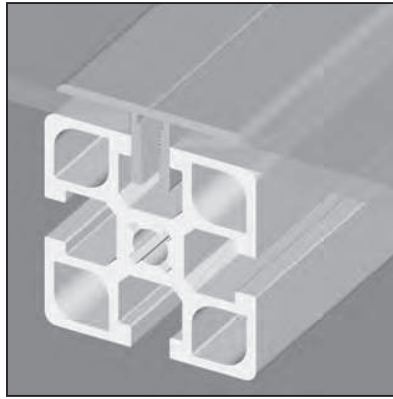
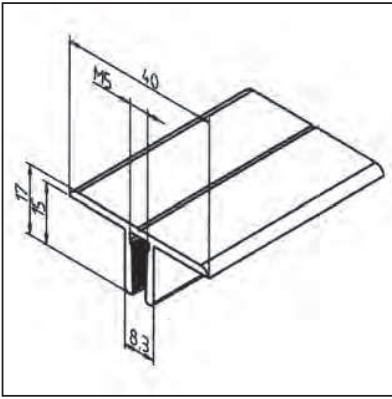
- Fastening of panel elements
- Subsequent fitting of panels on facade side
- Subsequent fitting of panel elements of max. 10 mm thickness

ASSEMBLY

- Drill bores \varnothing 5,5 mm for set screw M5 in panel element dimension of 250 mm
- Press into profile groove and clamp with set screw M5 x 12
- Calculation of the panel element dimension: see page 173

DOUBLE PANEL CLAMPING PROFILE

part no. 20.1018/0



TECHN. DATA / ITEMS SUPPLIED

- Aluminium, anodized E6/EV1	
- Weight	0,375 kg/m
- Length	6 m

APPLICATIONS

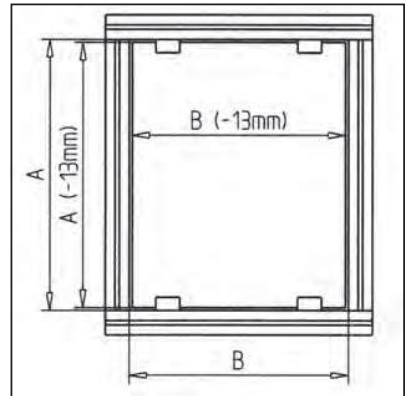
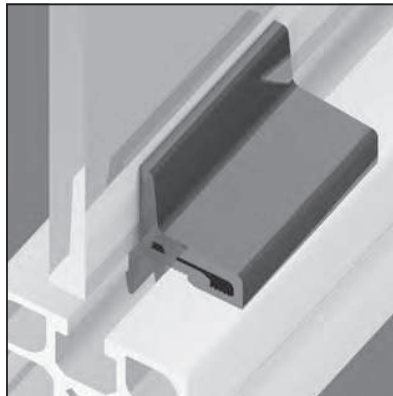
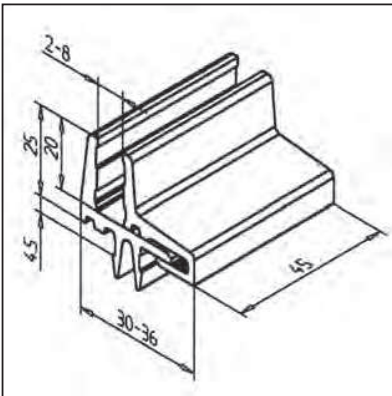
- Fastening of panel elements
- Support of panel elements of a thickness up to 10 mm

ASSEMBLY

- Drill bores \varnothing 5,5 mm for set screw M5 in panel element dimension of 250 mm
- Press into profile groove and clamp with set screw M5 x 12
- Also see panel clamping profile **part no. 20.1025/0**
- Calculation of the panel element dimension: see page 173

PANEL HOLDER

part no. 22.1090/1



TECHN. DATA / ITEMS SUPPLIED

- Hard PVC, grey	
- On request also deliverable in black part no. 22.1090/0	
- Weight	0,011 kg

APPLICATIONS

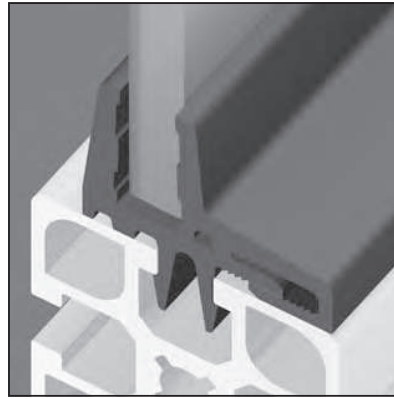
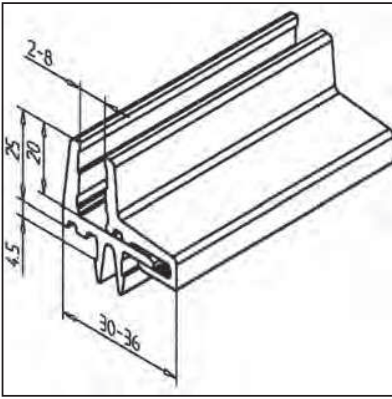
- Fastening of panel elements up to 8 mm
- If the panel elements are < 4 mm, a cellular rubber should be inserted
- Windows, door fillings
- Not suitable for corrugated mesh

ASSEMBLY

- Snap socket half into profile groove
- Insert the panel element
- Press clamping half firmly on socket half
- Calculation of the panel element dimension: see page 171

CLAMP PROFILE PVC

part no. 22.1092/0



TECHN. DATA / ITEMS SUPPLIED

- Hard PVC, grey
- On request also deliverable in black **part no. 22.1080/0**
- Weight 0,230 kg/m
- Length 2 m

APPLICATIONS

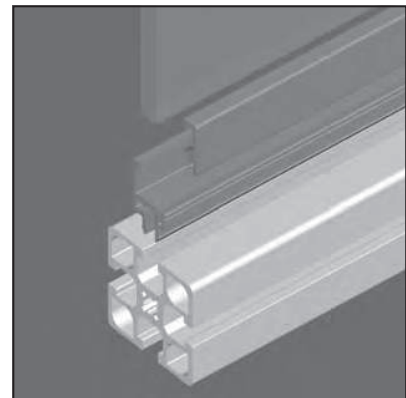
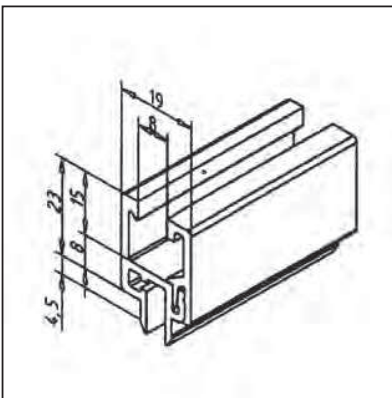
- Fastening of panel elements up to 8 mm
- If the panel elements are < 4 mm, a cellular rubber should be inserted
- Windows, door fillins
- No free space between profile and panel element
- Also suitable for corrugated mesh

ASSEMBLY

- Snap socket half into profile groove
- Insert the panel element
- Press clamping half firmly on socket half
- Calculation of the panel element dimension: see page 171

PANEL CLAMP PROFILE

part no. 22.1107/1



TECHN. DATA / ITEMS SUPPLIED

- ABS, grey
- On request also deliverable in black
- Weight 0,158 kg/m
- Length 2 m

APPLICATIONS

- Useful for subsequent fitting of profiles into existing profile frames
- Fastening of panel elements up to 8 mm
- For panels up to 8 mm use additional insert seal
- Windows, panels
- No air gap

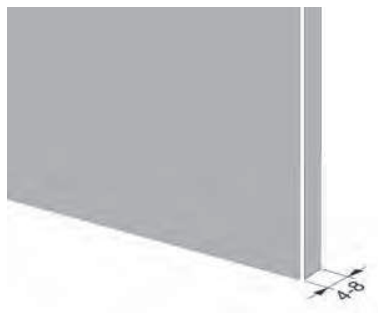
ASSEMBLY

- Snap socket half into profile groove
- Insert the panel element
- Press clamping half firmly on socket half
- Calculation of the panel element dimension: see page 171
- **No mitre cut necessary**

SURFACE ELEMENTS

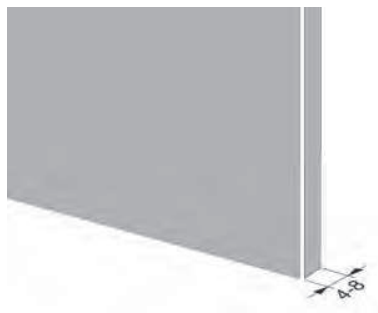
OPTIONS & MATERIAL

ACRYLIC



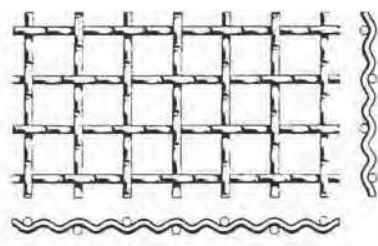
PART NO.	THICKNESS	COLOUR	WEIGHT	DIMENSION
21.1832/0	4 mm	tinted	4.76 kg/m ²	2030 x 3050 mm
21.1811/0	5 mm	tinted	5.95 kg/m ²	2030 x 3050 mm
21.1812/0	6 mm	tinted	7.14 kg/m ²	2030 x 3050 mm
21.1813/0	8 mm	tinted	9.52 kg/m ²	2030 x 3050 mm
21.1826/0	4 mm	clear	4.76 kg/m ²	2030 x 3050 mm
21.1836/0	5 mm	clear	5.95 kg/m ²	2030 x 3050 mm
21.1827/0	6 mm	clear	7.14 kg/m ²	2030 x 3050 mm
21.1828/0	8 mm	clear	9.52 kg/m ²	2030 x 3050 mm

POLYCARBONATE



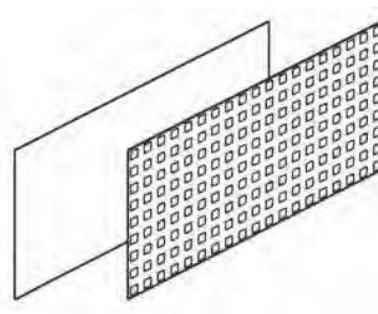
PART NO.	THICKNESS	COLOUR	WEIGHT	DIMENSION
21.1809/0	4 mm	tinted	4.76 kg/m ²	2030 x 3050 mm
21.1808/0	5 mm	tinted	5.95 kg/m ²	2030 x 3050 mm
21.1807/0	6 mm	tinted	7.20 kg/m ²	2030 x 3050 mm
21.1821/0	8 mm	tinted	9.78 kg/m ²	2030 x 3050 mm
21.1829/0	4 mm	clear	4.80 kg/m ²	2030 x 3050 mm
21.1833/0	5 mm	clear	5.95 kg/m ²	2030 x 3050 mm
21.1830/0	6 mm	clear	7.20 kg/m ²	2030 x 3050 mm
21.1831/0	8 mm	clear	9.78 kg/m ²	2030 x 3050 mm

CORRUGATED MESH



PART NO.	WIRE SIZE	MESH SIZE	WEIGHT	DIMENSION	MATERIAL
21.1803/0	4 mm	30 mm	6.2 kg/m ²	2000 x 3000 mm	St, galvanized
21.1805/0	4 mm	40 mm	4.7 kg/m ²	2000 x 3000 mm	St, galvanized
21.1818/2	4 mm	30 mm	2.14 kg/m ²	2000 x 2000 mm	ALMg3
21.1818/1	4 mm	40 mm	1.6 kg/m ²	2000 x 2000 mm	ALMg3

ON DEMAND

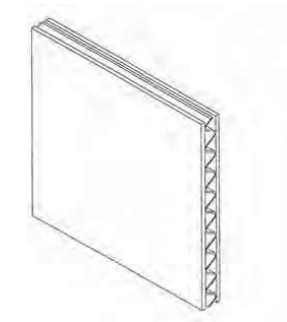


Aluminium sheets, steel plates,
perforated plates, laminated wood panels

SURFACE ELEMENTS

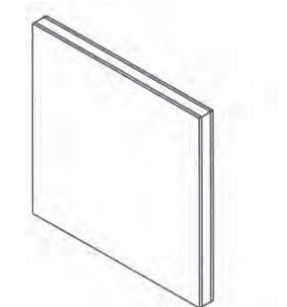
OPTIONS & MATERIAL

CORRUGATED ALUMINIUM PANEL



Front plate (anodized)	1 mm
Rear Plate (natural)	0.3 mm
Aluminium Welle	5.5 mm
Total thickness	4.6 kg/m ²
Panel Size	1500 x 2500 mm
Material	Aluminum, paintable, printable, recyclable

COMPOSITE PANEL



Material outside	Aluminium (anodized)
Material inside	Polyethylene
Total thickness	6 mm
Weight	7.3 kg/m ²
Panel Size	1500 x 3000 mm
Others	Aluminum, paintable, printable, recyclable

PVC-PLATE



Thickness	20 mm
Colour	grey, 7011 RAL
Weight	28 kg/m ²
Panel Size	1000 x 2000 mm
On Demand	other sizes and thicknesses, antistatic table plates

RECYCLED PE PLATE



Thickness	10 - 40 mm
Colour*	black oder black-coloured
Dimension	1000 x 2000 mm
Density	0.93 kg/dm ³
Material	PE-Regenerate

* (In black-colored the color variance may vary depending on delivery)



Profilex s.a.

6b, Z.I. In den Allern
L-9911 Troisvierges
Phone LU : +352 99 89 06
Phone BE : +32 28 88 16 29
Fax : +352 26 95 73 73

info@profilex-systems.com
www.profilex-systems.com