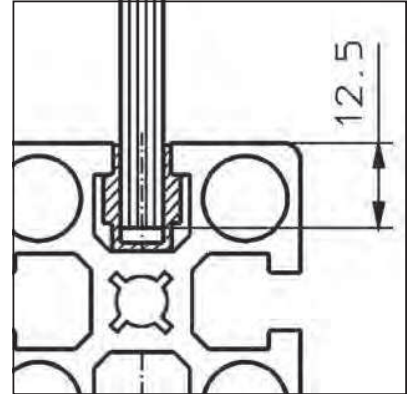
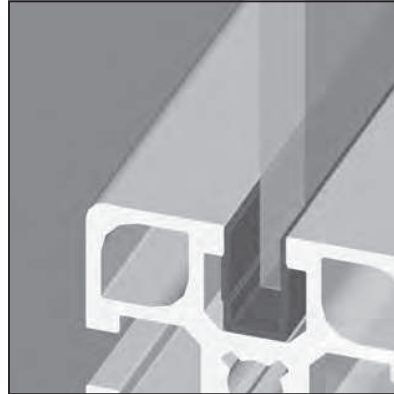
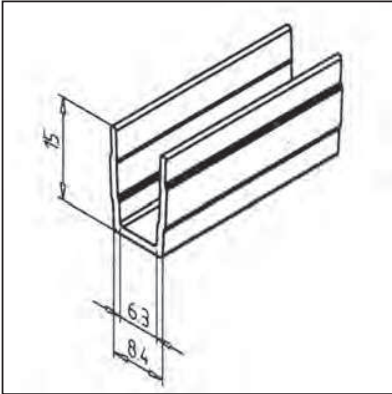


COVER PROFILE

part no. 22.1070/1



TECHN. DATA / ITEMS SUPPLIED

- Hard PVC, grey

- Available in lightgrey **part no. 22.1070/2**
- Available in black **part no. 22.1070/0**
- Available in orange **part no. 22.1071/0**
- Available in blue **part no. 22.1072/0**
- Available in yellow **part no. 22.1074/0**

- Weight 0,060 kg/m

- Length 2 m

APPLICATIONS

- Mounted with groove inwards: for covering of profile grooves

- Mounted with groove outwards: attachment of panel elements up to 6 mm; thickness compensation for thin panels with silicon or rubber string

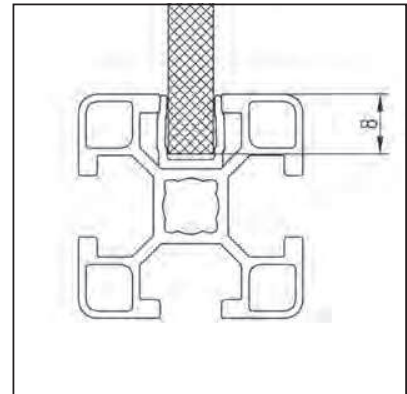
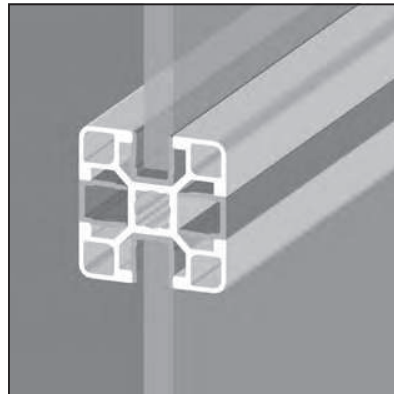
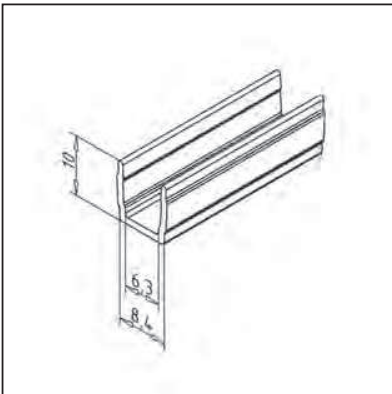
ASSEMBLY

- Snap or slip into profile groove

- Allowance for the panel elements: see page 170

COVER PROFILE 30

part no. 22.1161/1



TECHN. DATA / ITEMS SUPPLIED

- Hard PVC, grey

- Available in lightgrey **part no. 22.1161/2**

- Weight 0,040 kg/m

- Length 2 m

APPLICATIONS

- Mounted with the groove to the inside: For closing of the profile

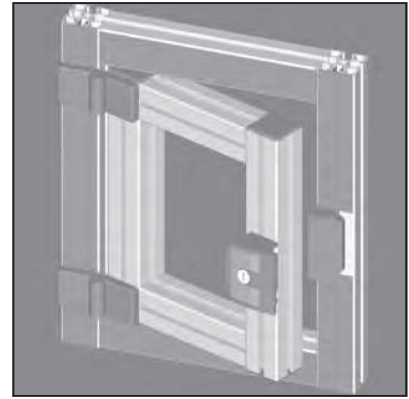
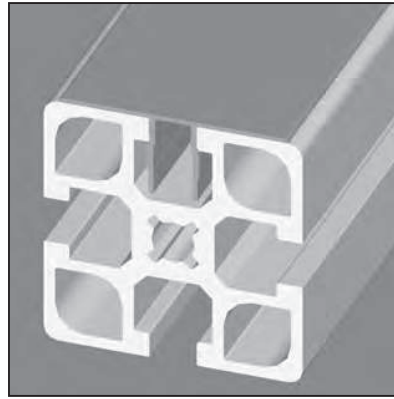
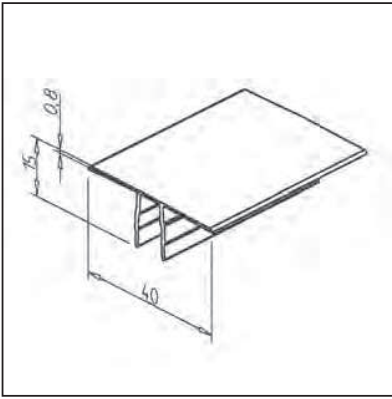
- Mounted with the groove on the outside: To accommodate surface elements to 6mm thickness

ASSEMBLY

- Press onto profile groove

SIGNAL PROFILE

part no. 22.1097/2



TECHN. DATA / ITEMS SUPPLIED

- PVC, yellow-orange
- Deliverable in red **part no. 22.1097/3**
- Deliverable in signal-yellow **part no. 22.1097/4**
- Weight 0,090 kg/m
- Length 2 m

APPLICATIONS

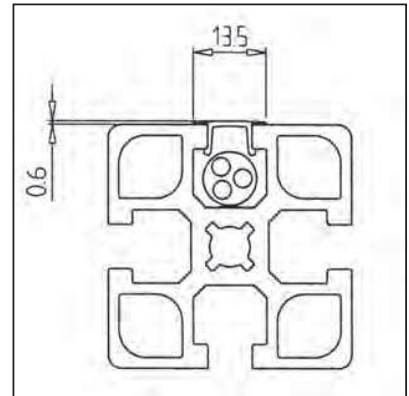
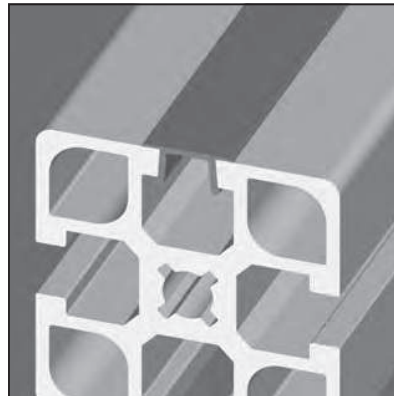
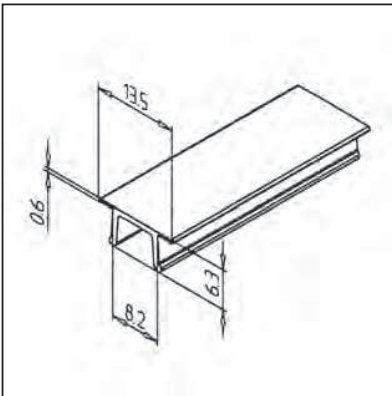
- Marking of safety relevant construction units such as doors and risk zones
- Coloured organization of constructions or parts

ASSEMBLY

- Clip in profile groove

COVER PROFILE K

part no. 22.1020/1



TECHN. DATA / ITEMS SUPPLIED

- ABS, grey
- Weight 0,023 kg/m
- Length 2 m
- Colour: yellow, part no. 22.1020/4

APPLICATIONS

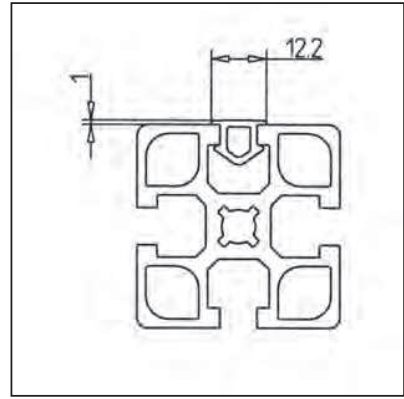
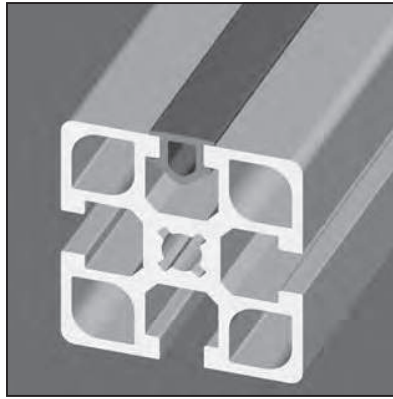
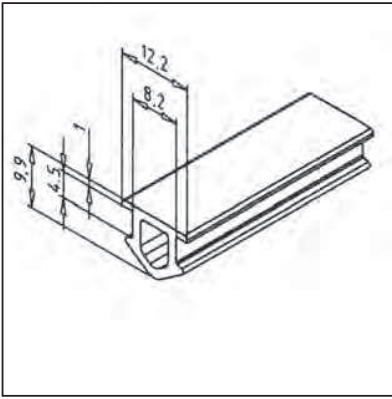
- Flush, dust-proof covering of profile grooves
- Groove cross-section usable as installation conduit for wiring or piping
- Information plates

ASSEMBLY

- Press by hand onto profile groove
- Cut off with pliers

COVER PROFILE G

part no. 22.1010/0



TECHN. DATA / ITEMS SUPPLIED

- NBR, black	
- Hardness (Shore A)	70°
- Weight	0,072 kg/m
- Length	25 m

APPLICATIONS

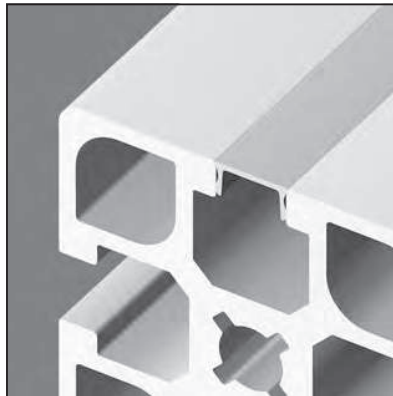
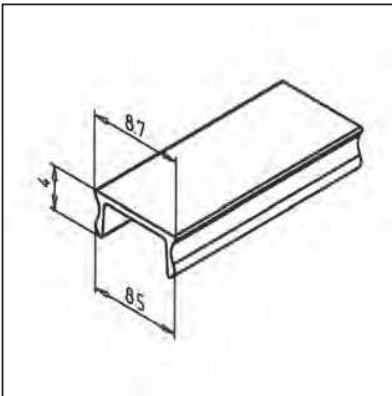
- Flush, dust-proof covering of profile grooves
- Groove cross-section usable as installation conduit for wiring or piping

ASSEMBLY

- Press by hand onto profile groove
- Cut of with pliers

COVER PROFILE L

part no. 20.1021/0



TECHN. DATA / ITEMS SUPPLIED

- Aluminium, natural	
- Weight	0,030 kg/m
- Length	2 m
- Also deliverable in aluminium anodized part no. 20.1021/1	

APPLICATIONS

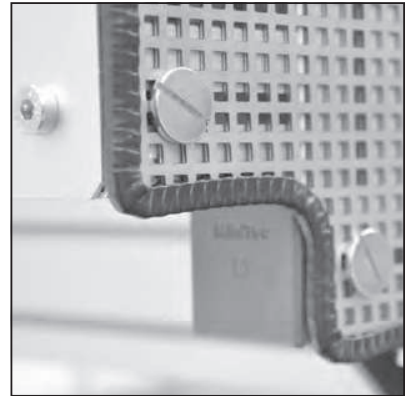
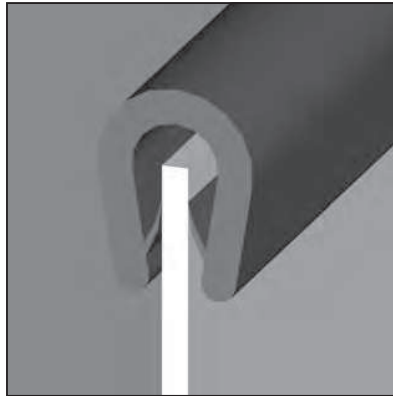
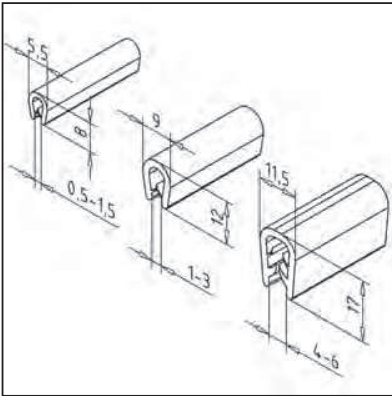
- Flush, dust-proof covering of profile grooves
- Groove cross-section usable as installation conduit for wiring or piping
- Information plates

ASSEMBLY

- Press by hand onto profile groove
- Cut of with pliers

EDGE PROTECTION

part no. diverse



TECHN. DATA / ITEMS SUPPLIED

- PVC, black, strengthened with steel sheet
- Edge Protection 0,5-1,5 **part no. 22.1029/0**
- Edge Protection 1-3 **part no. 22.1036/0**
- Edge Protection 4-6 **part no. 22.1037/0**
- Weight (0,5-1,5) 0,050 kg/m
- Weight (1-3) 0,120 kg/m
- Weight (4-6) 0,190 kg/m
- Length (0,5-1,5) 50 m
- Length (1-3 u. 4-6) 100 m

APPLICATIONS

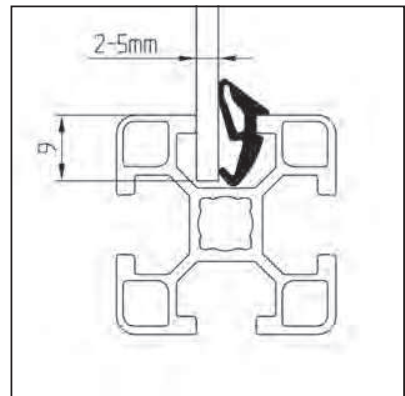
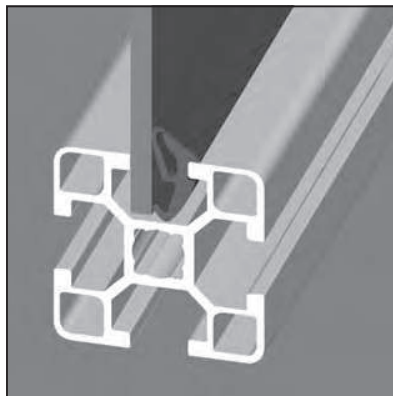
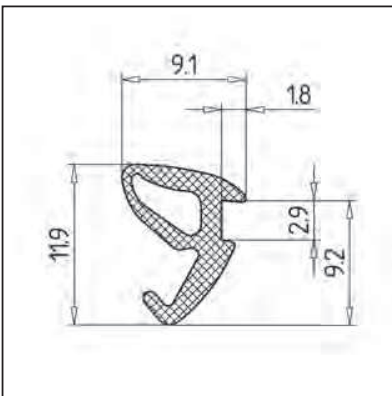
- Edge protection for panel elements
- Protection of MiniTec conduit
- Protection of bores and openings

ASSEMBLY

- Slip on edge of the panel element

INSERT SEAL 30

part no. 22.1174/0



TECHN. DATA / ITEMS SUPPLIED

- EPDM-AGV, black
- Weight 0,05 kg/m
- Length max. 100 m

APPLICATIONS

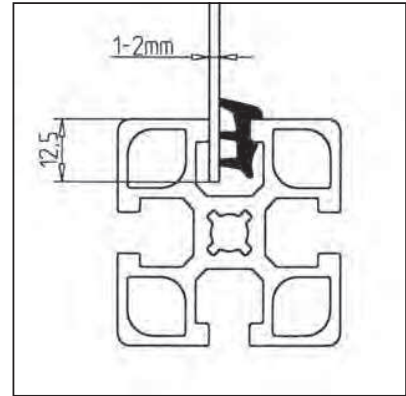
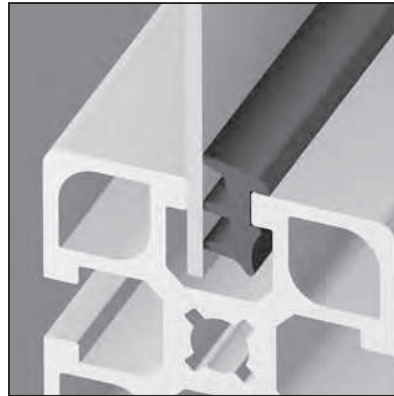
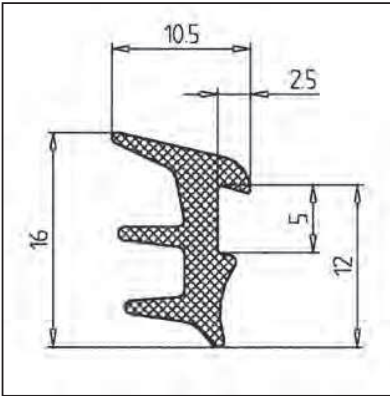
- Attachment and sealing of panel elements from 2-5 mm in the profile groove

ASSEMBLY

- Insert panel element into profile groove and press insert seal subsequently into free space between panel element and profile groove with blunt tool made of wood or plastic

INSERT SEAL 2

part no. 22.1083/0



TECHN. DATA / ITEMS SUPPLIED

- EPDM, black	
- Weight	0,096 kg/m
- Length	100 m

APPLICATIONS

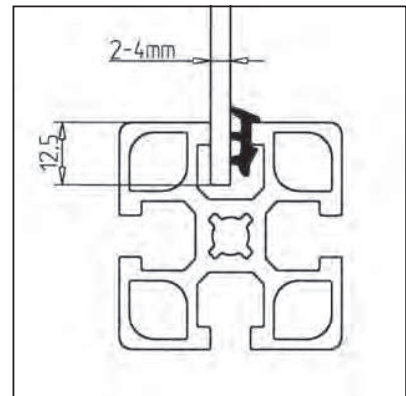
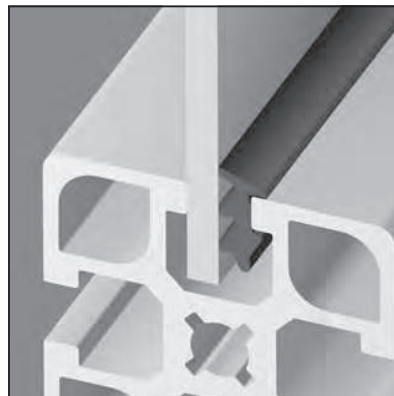
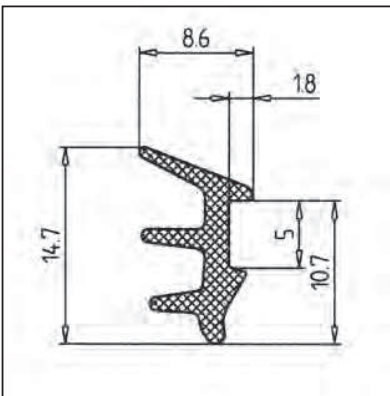
- Not suitable for acrylic plastic and polycarbonate
- Fastening and sealing of panel elements up to 2 mm thickness, directly in the profile groove

ASSEMBLY

- Insert panel into profile groove
- Press insert seal subsequently into free space between panel element and profile groove with blunt tool made of wood or plastic
- Materials Ø 2 mm can be clamped by using insert seal 6 **part no. 22.1086/1** on both sides

INSERT SEAL 4

part no. 22.1081/0



TECHN. DATA / ITEMS SUPPLIED

- EPDM-AGV, black	
- Weight	0,070 kg/m
- Length	100 m

APPLICATIONS

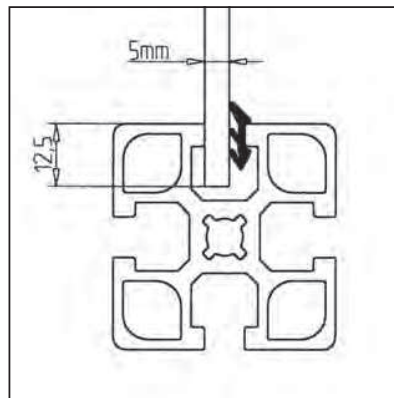
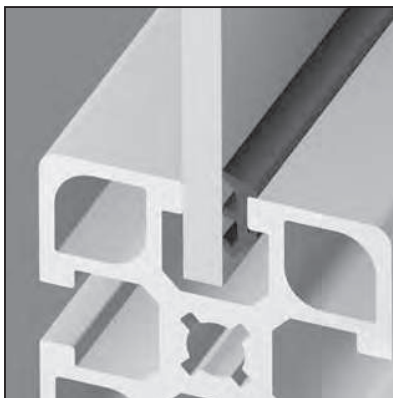
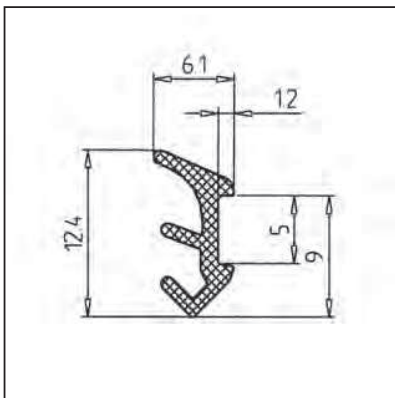
- Fastening and sealing of panel elements up to 2-4 mm in the profile groove
- Also suitable for acrylic plastic and polycarbonate

ASSEMBLY

- Insert panel element into profile groove and press insert seal subsequently into free space between panel element and profile groove with blunt tool made of wood or plastic

INSERT SEAL 5

part no. 22.1099/0



TECHN. DATA / ITEMS SUPPLIED

- EPDM-AGV, black	
- Weight	0,040 kg/m
- Length	100 m

APPLICATIONS

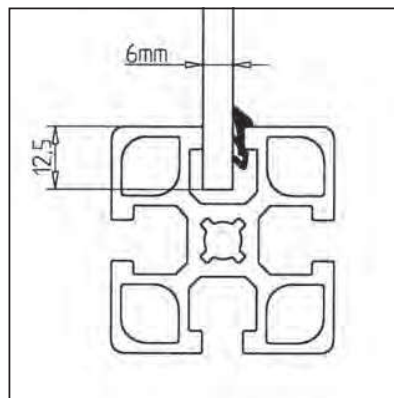
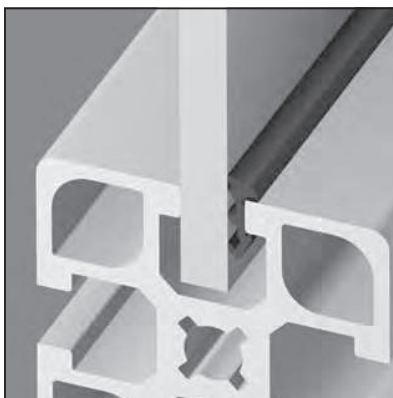
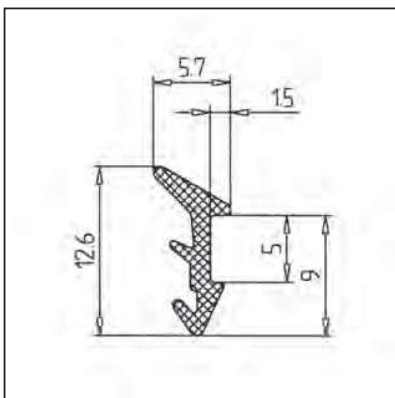
- Fastening and sealing of panel elements up to 5 mm thickness, directly in the profile groove
- Also suitable for acrylic plastic and polycarbonate

ASSEMBLY

- Insert panel into profile groove

INSERT SEAL 6

part no. 22.1086/1



TECHN. DATA / ITEMS SUPPLIED

- EPDM-AGV, black	
- Weight	0,020 kg/m
- Length	100 m
- Oil-resistant execution, part no. 22.1086/3	

APPLICATIONS

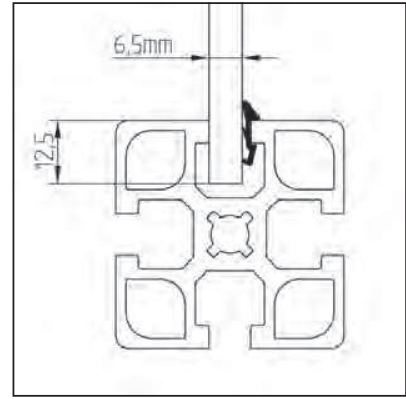
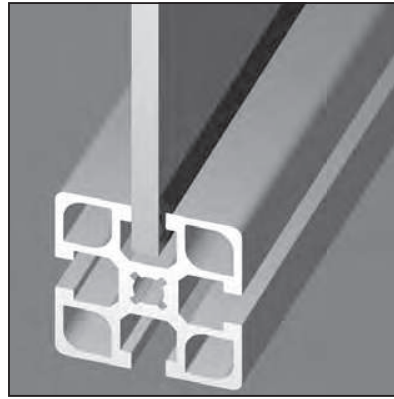
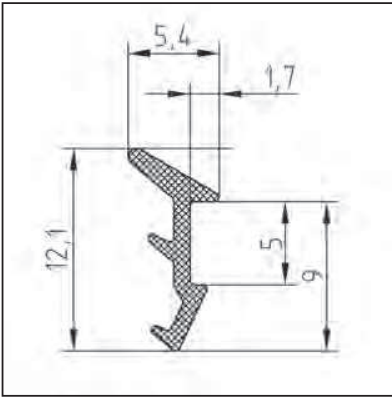
- Fastening and sealing of panel elements up to 6 mm thickness, directly in the profile groove
- Also suitable for acrylic plastic and polycarbonate

ASSEMBLY

- Insert panel into profile groove
- Materials Ø 2 mm can be clamped by using insert seal 6 on both sides

INSERT SEAL 6,5

part no. 22.0991/0



TECHN. DATA / ITEMS SUPPLIED

- EPDM-AGV, black	
- Weight	0,033 kg/m
- Length	100 m

APPLICATIONS

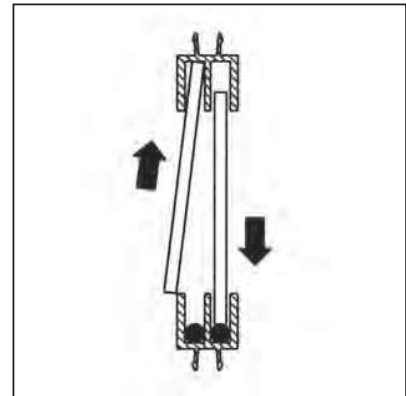
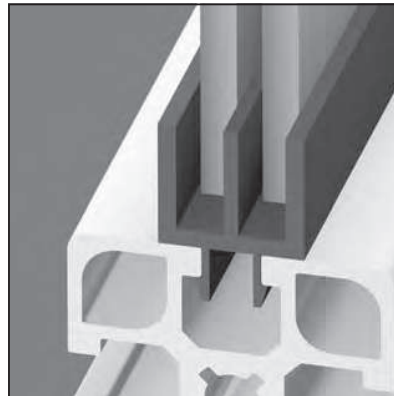
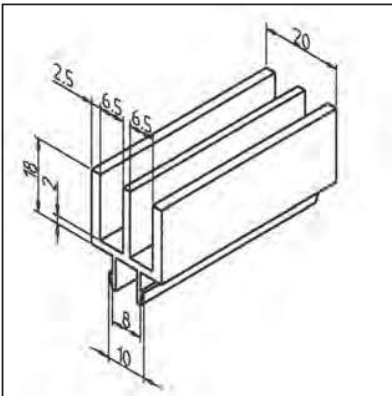
- Fastening and sealing of panel elements up to 6,5 mm thickness, directly in the profile groove
- Also suitable for acrylic plastic and polycarbonate

ASSEMBLY

- Insert panel into profile groove, press it subsequently with blunt tool made of wood or plastic
- Materials Ø 2 mm can be clamped by using insert seal 6,5 on both sides

GUIDE PROFILE 2

part no. 22.1073/1



TECHN. DATA / ITEMS SUPPLIED

- Hard, PVC, grey	
- On request also deliverable in black part no. 22.1073/0	
- Weight	0,270 kg/m
- Length	2 m

APPLICATIONS

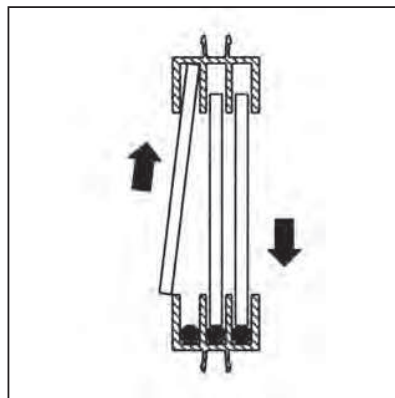
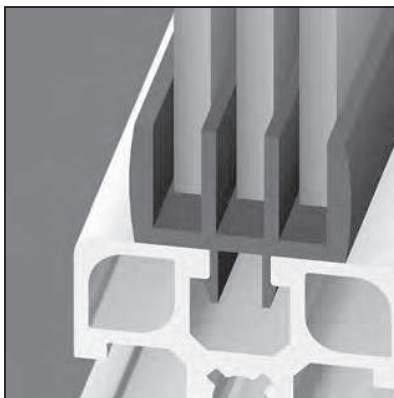
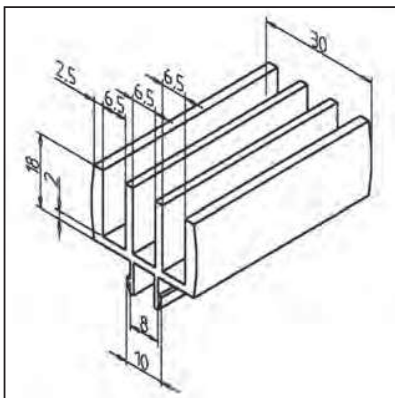
- 2-fold sliding doors made of panel elements of max. 6 mm

ASSEMBLY

- Snap into profile groove
- Suitable for subsequent mounting
- For subsequent mounting of panel elements PVC-bars **part no. 22.1077/0** are to be inserted into grooves of the lower guide profile
- For the panel element allow a min. of 20 mm reduction in y-direction, for direct fitting without PVC-bars allow a min. of 10 mm reduction in y-direction

GUIDE PROFILE 3

part no. 22.1075/1



TECHN. DATA / ITEMS SUPPLIED

- Hard, PVC, grey
- On request also deliverable in black
part no. 22.1075/0
- Weight 0,342 kg/m
- Length 2 m

APPLICATIONS

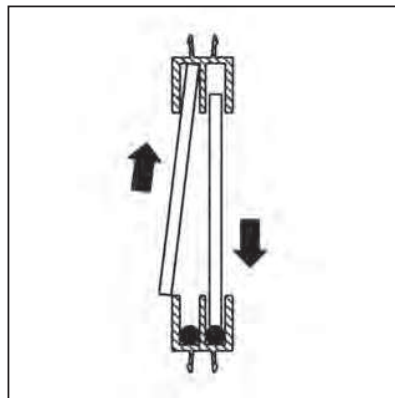
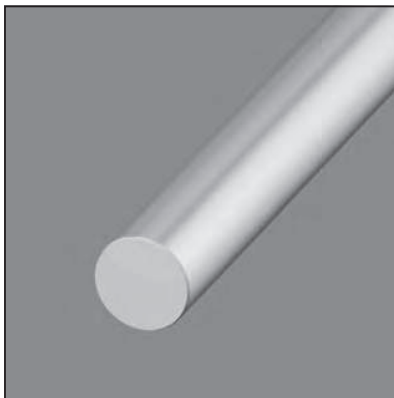
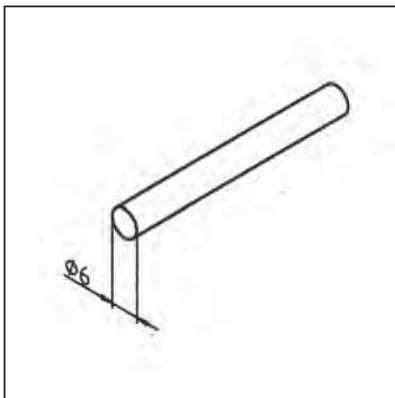
- 3-fold sliding doors, made of panel elements of max. 6 mm

ASSEMBLY

- Snap into profile groove
- Suitable for subsequent mounting
- For subsequent mounting of panel elements PVC-bars **part no. 22.1077/0** are to be inserted into grooves of the lower guide profile
- For the panel element allow a min. of 20 mm reduction in y-direction, for direct fitting without PVC-bars allow a min. of 10 mm reduction in y-direction

PVC-BAR

part no. 22.1077/0



TECHN. DATA / ITEMS SUPPLIED

- PA, natural
- Ø 6 mm
- Weight 0,040 kg/m
- Length 3 m

APPLICATIONS

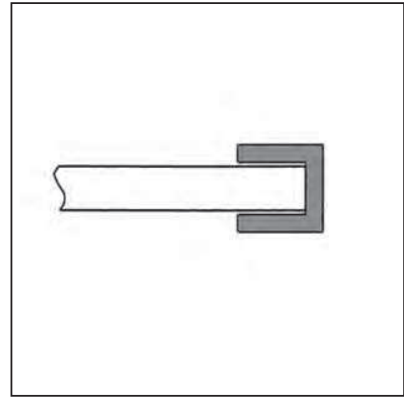
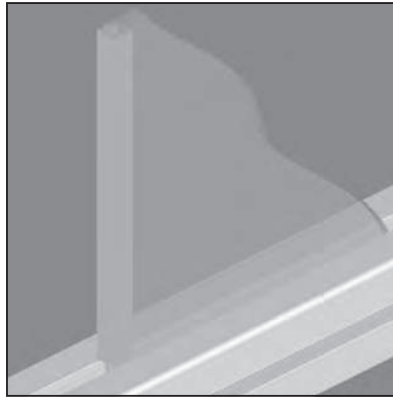
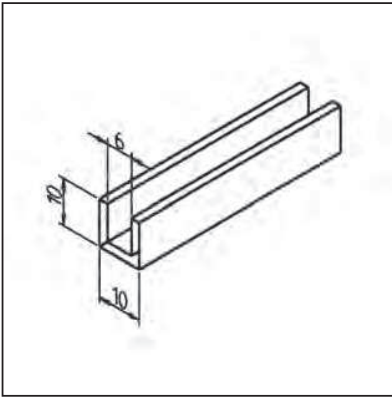
- Guiding of windows or doors in guide profiles

ASSEMBLY

- Insert in the lower grooves of guide profiles 2 and 3

U-PROFILE

part no. 21.1002/0



TECHN. DATA / ITEMS SUPPLIED

- Aluminium, anodized E6/EV1	
- Weight	0,150 kg/m
- Length	6 m

APPLICATIONS

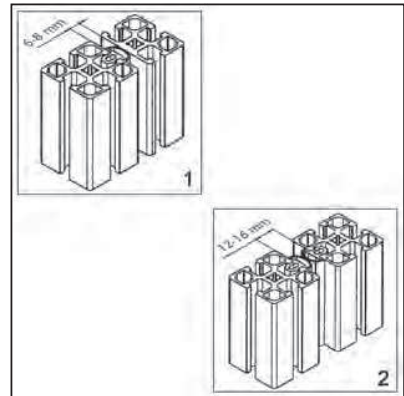
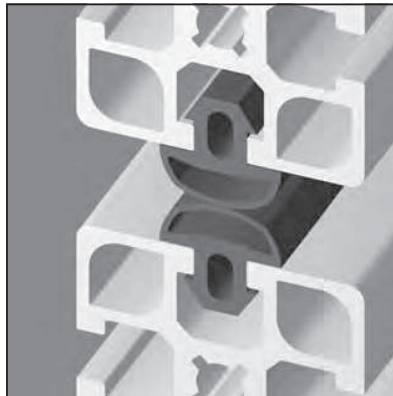
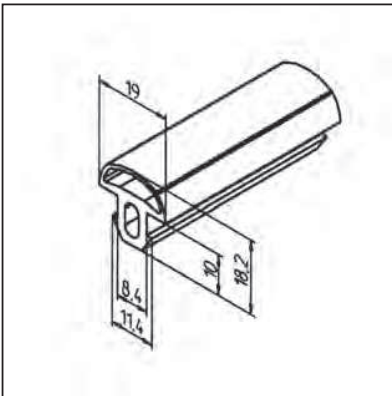
- Frame for screens of max. 5 mm

ASSEMBLY

- Glue on edges of panel elements with suitable adhesive

SEALING LEDGE

part no. 22.1078/0



TECHN. DATA / ITEMS SUPPLIED

- NBR, black	
- Hardness (Shore A)	70°
- Weight	0,175 kg/m
- Length	50 m

APPLICATIONS

- Sealing of doors, lids and other constructions against dust, water, noise etc.

ASSEMBLY

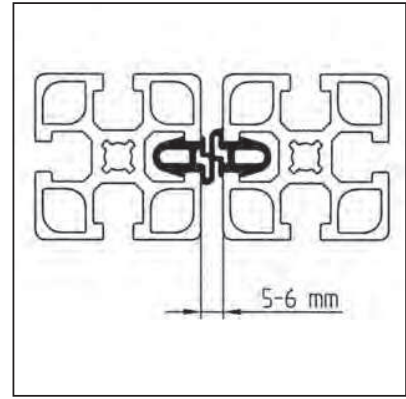
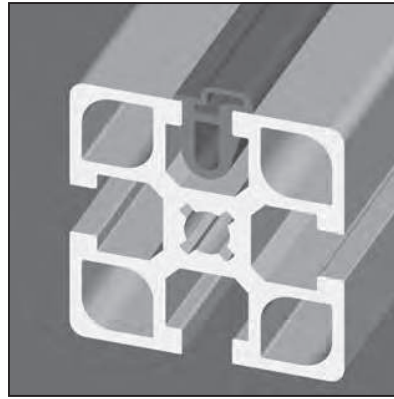
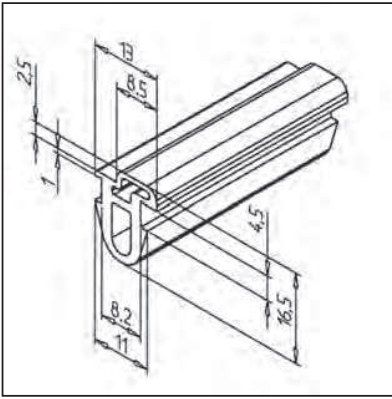
- Press into profile groove

- 1: Sealing of one side:
gap width = 6 - 8 mm

- 2: Sealing of both sides:
gap width = 12 - 16 mm

SEALING PROFILE

part no. 22.1011/0



TECHN. DATA / ITEMS SUPPLIED

- NBR, black	
- Hardness (Shore A)	70°
- Weight	0,122 kg/m
- Length	50 m

APPLICATIONS

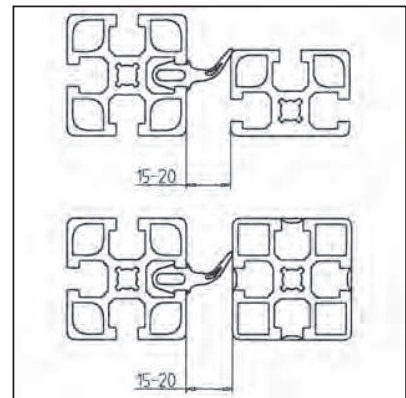
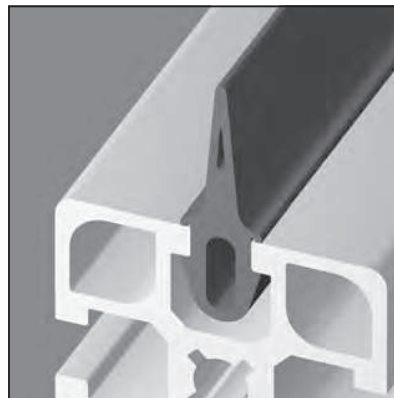
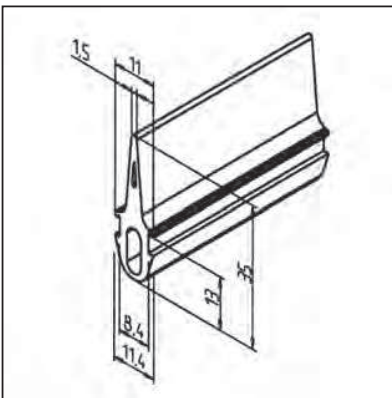
- Sealing of doors, lids and other constructions against water, dust and noise

ASSEMBLY

- Press into profile groove

SEALING LIP PROFILE

part no. 22.1038/0



TECHN. DATA / ITEMS SUPPLIED

- NBR, black	
- Hardness (Shore A)	60°
- Weight	0,245 kg/m
- Length	75 m

APPLICATIONS

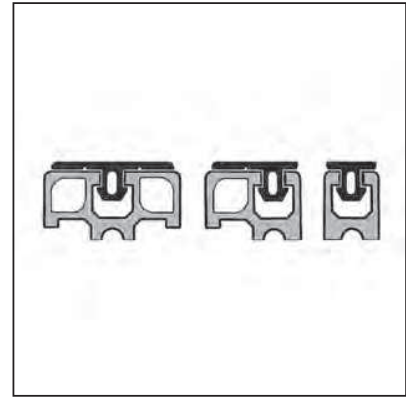
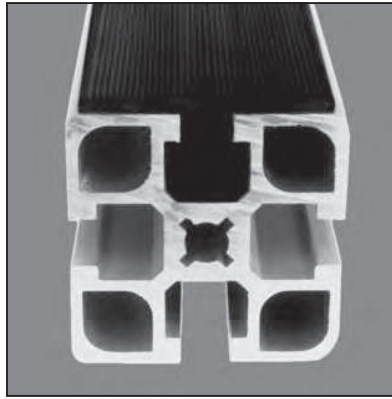
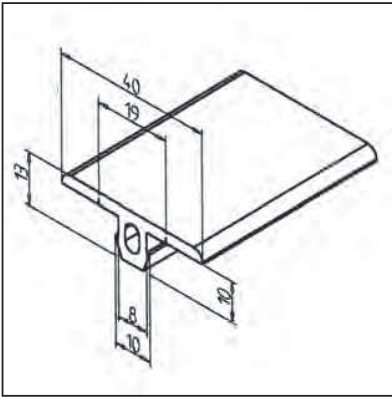
- Sealing of doors, lids and other constructions against dust, water, noise, light etc.

ASSEMBLY

- Press into profile groove

COVER PROFILE

part no. 22.1098/0



TECHN. DATA / ITEMS SUPPLIED

- NBR, black	
- Hardness (Shore A)	70°
- Weight	0,230 kg/m
- Length	50 m
- Cover Profile EPDM part no. 22.1098/1	

APPLICATIONS

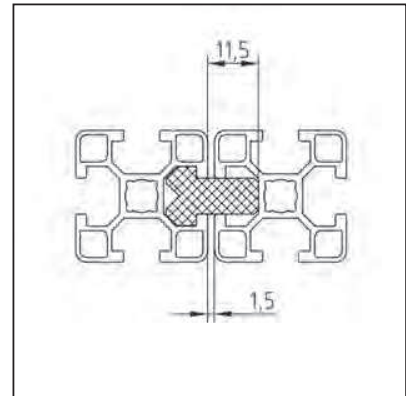
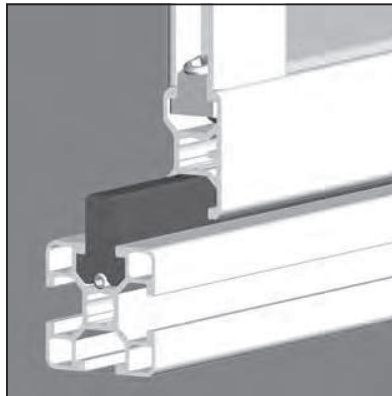
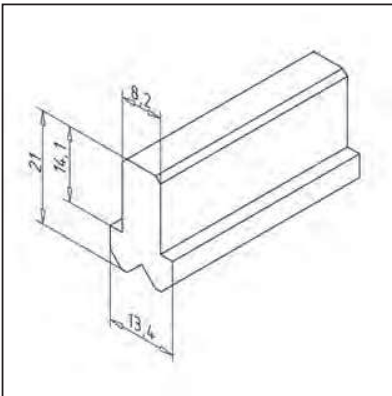
- Edge Protection
- Buffer strip
- Ladder rungs
- Buffer for sliding doors

ASSEMBLY

- Press into profile groove
- The lower side of the profile has 2 tear-off notches for adjustment of width to the aluminium profile

SLIDE BAR 8 N 30

part no. 22.1170/0



TECHN. DATA / ITEMS SUPPLIED

- Hard plastic, black	
- Highly wear-resistant	
- Weight	0,178 kg/m
- Length	2 m

APPLICATIONS

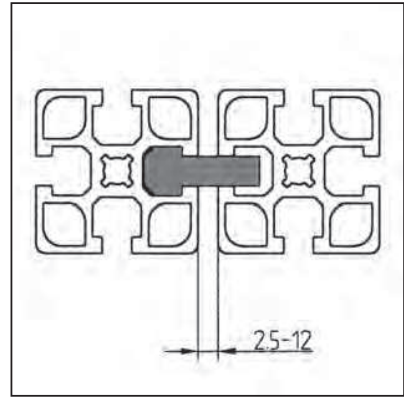
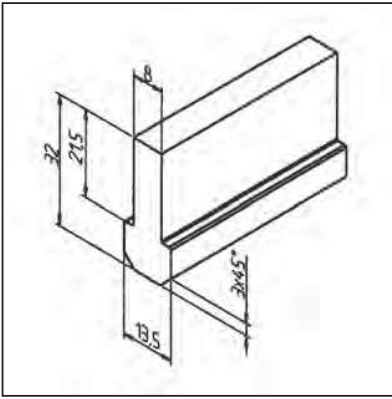
- Guiding device for sliding doors and other sliding elements

ASSEMBLY

- Slide into profile groove
- The slide can be fixed with a set screw M4

SLIDE BAR 8 N

part no. 22.1085/0



TECHN. DATA / ITEMS SUPPLIED

- Hard plastic, black	
- Highly wear-resistant	
- Weight	0,300 kg/m
- Length	2 m

APPLICATIONS

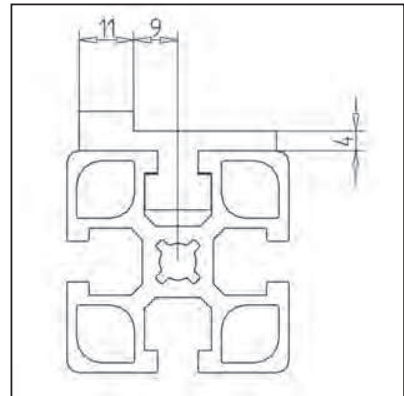
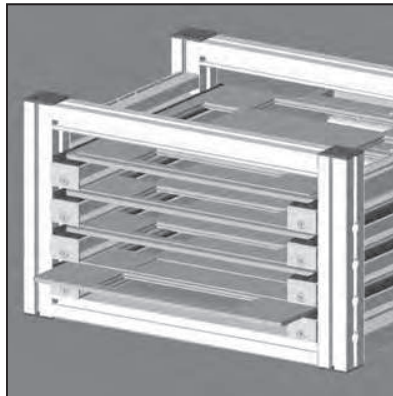
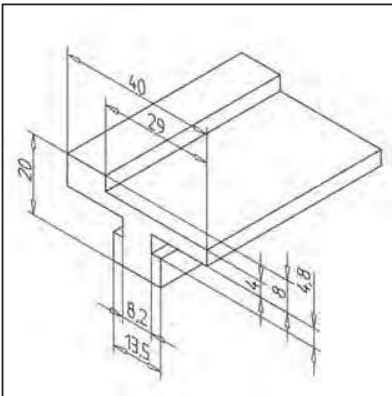
- Guiding device for sliding doors and other sliding elements
- Lateral guide for conveyors

ASSEMBLY

- Slide into profile groove

SLIDE BAR 8-40 A

part no. 29.8012/0



TECHN. DATA / ITEMS SUPPLIED

- Hard plastic, black	
- Highly wear-resistant	
- Weight	0,317 kg/m
- Length	2 m

APPLICATIONS

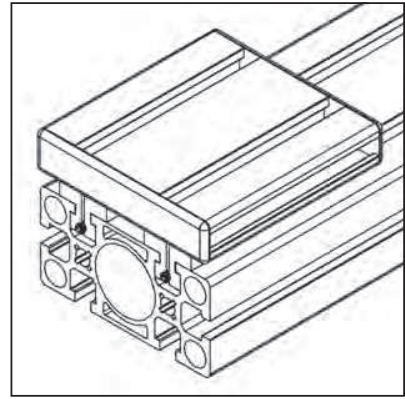
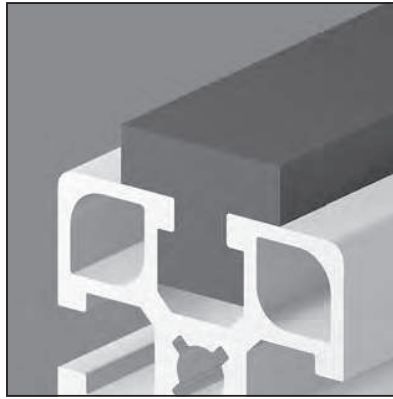
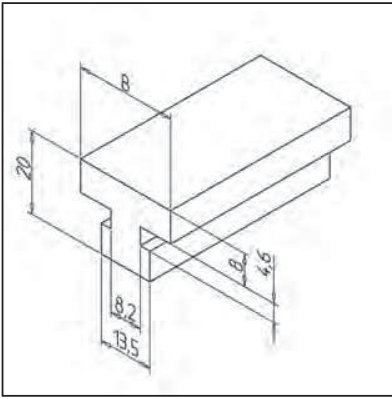
- Sliding support
- workpiece slide
- Guide for lifting doors
- Slides

ASSEMBLY

- Slide into profile groove

SLIDE BAR 8

part no. diverse



TECHN. DATA / ITEMS SUPPLIED

- Hard plastic, black
- Highly wear-resistant
- B=25 part no. 22.1088/0
- Weight 0,311 kg/m
- B=40 part no. 22.1088/1
- Weight 0,401 kg/m
- B=45 part no. 22.1088/3
- Weight 0,463 kg/m
- Length 2 m

APPLICATIONS

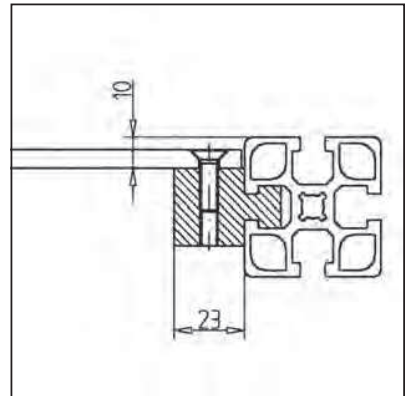
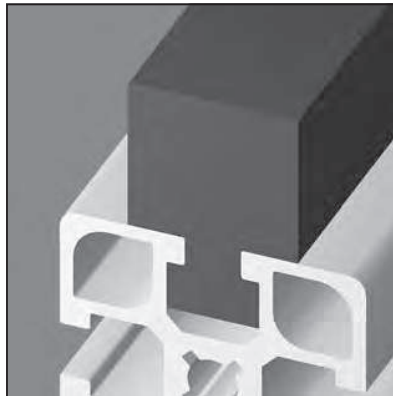
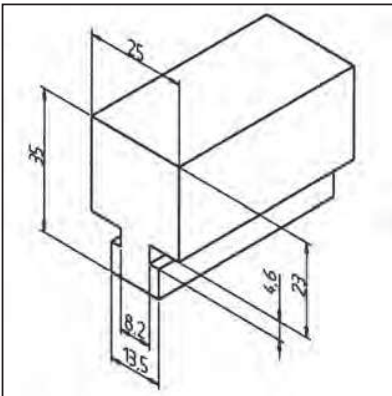
- Sliding support
- workpiece slide
- Guide for lifting doors
- Slides

ASSEMBLY

- Slide into profile groove

SLIDE BAR 23

part no. 22.1089/0



TECHN. DATA / ITEMS SUPPLIED

- Hard plastic, black
- Highly wear-resistant
- Weight 0,673 kg/m
- Length 2 m

APPLICATIONS

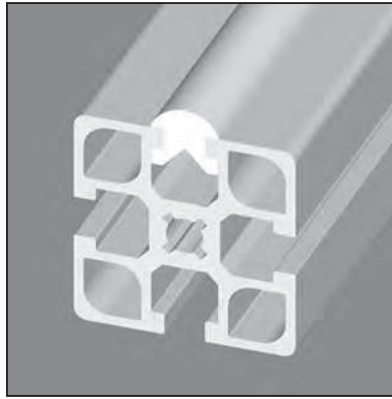
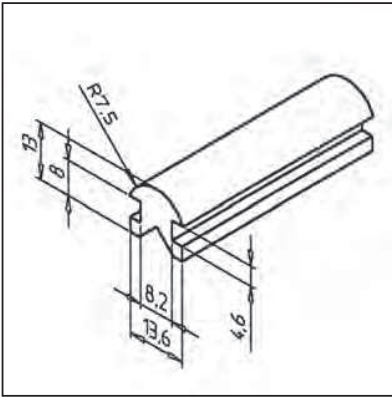
- Sliding support
- workpiece slide
- Customer processing possible by additional machining allowance

ASSEMBLY

- Slide into profile groove

SLIDE BAR R

part no. 22.1104/0



TECHN. DATA / ITEMS SUPPLIED

- PE, white
- Highly wear-resistant
- Weight 0,115 kg/m
- Length 2 m

APPLICATIONS

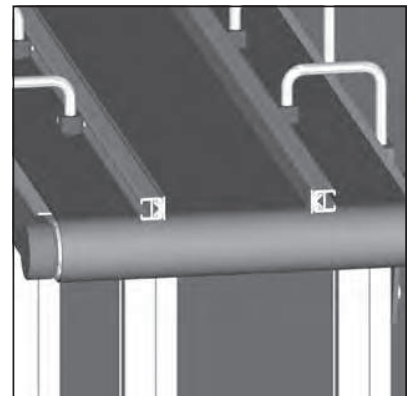
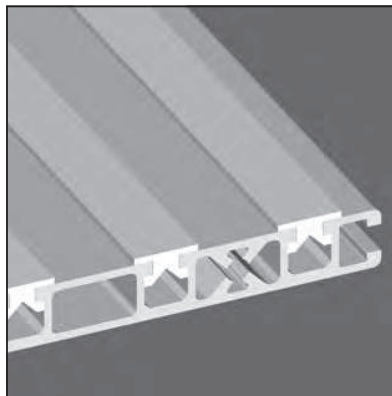
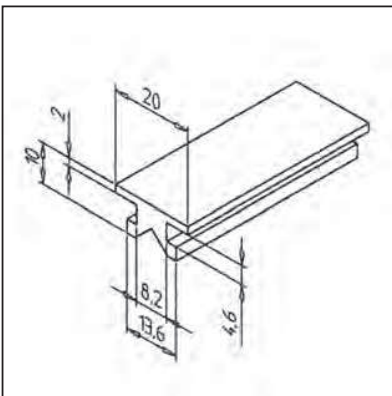
- Lateral guides
- Slide ways
- Kan-Ban racks
- Protective surface and supporting plates

ASSEMBLY

- Slide into profile groove
- Suitable for all profiles

SLIDE BAR F

part no. 22.1135/0



TECHN. DATA / ITEMS SUPPLIED

- PE, white
- highly wear resistant
- Weight 0,098 kg
- Length 2 m

APPLICATIONS

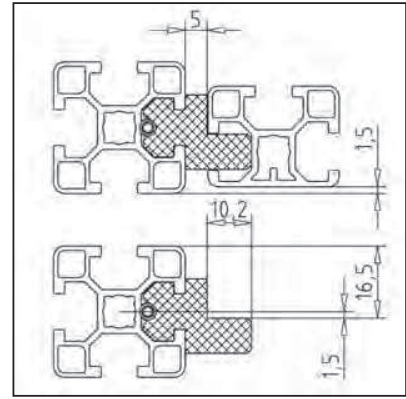
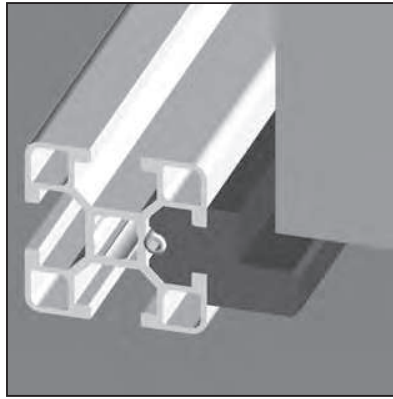
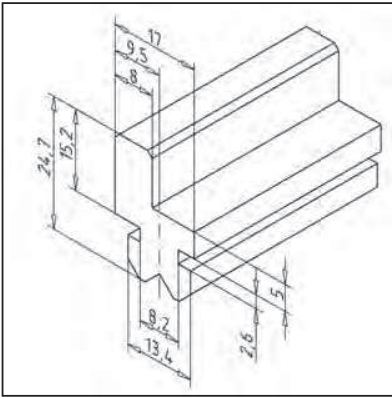
- lateral guide for flat components
- slide for containers
- accumulator roller / rail

ASSEMBLY

- slide into profile groove
- secure slide bar at both ends with set screw or adjustable end caps

ANGULAR SLIDE BAR 30

part no. 22.1171/0



TECHN. DATA / ITEMS SUPPLIED

- PE, black
- highly wear resistant
- Weight 0,248 kg/m
- Length 2 m

APPLICATIONS

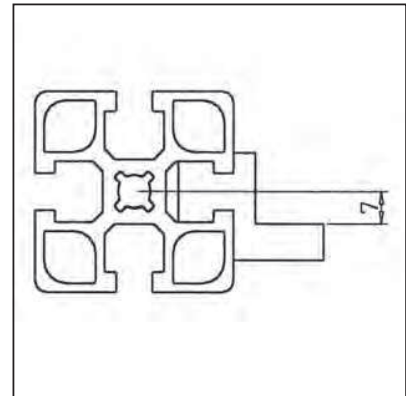
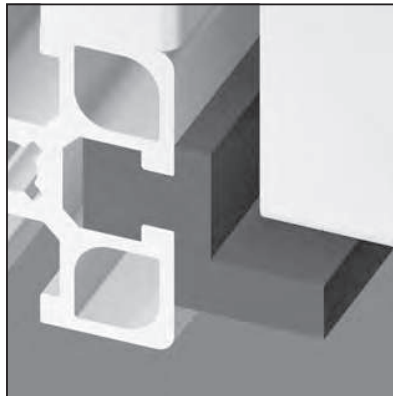
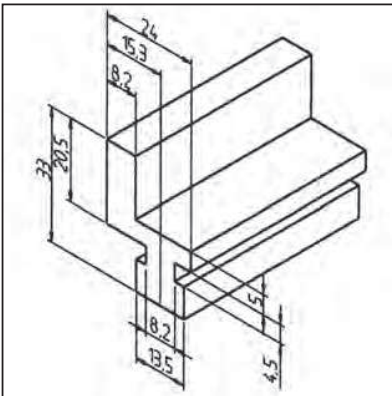
- Guiding device for sliding doors and other sliding elements

ASSEMBLY

- slide into profile groove
- The slide can be fixed with a set screw M4

ANGULAR SLIDE BAR

part no. 22.1040/0



TECHN. DATA / ITEMS SUPPLIED

- Hard plastic, black
- Highly wear-resistant
- Weight 0,48 kg/m
- Length 2 m

APPLICATIONS

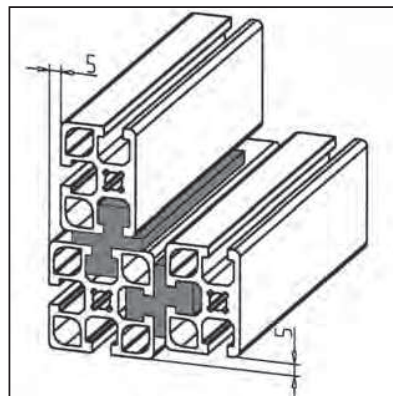
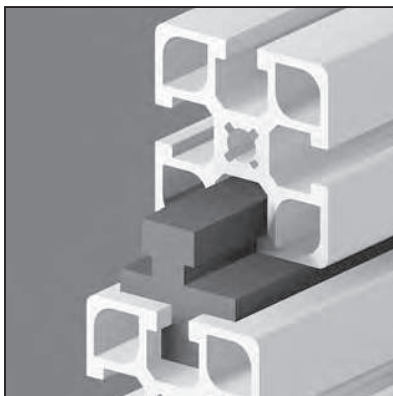
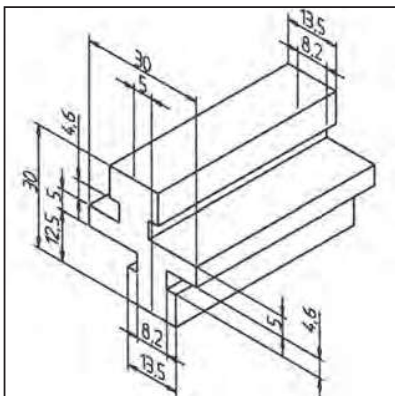
- Conveying systems
- Belt conveyors
- Lateral guides

ASSEMBLY

- Slide into profile groove

DOUBLE SLIDE BAR

part no. 22.1087/0



TECHN. DATA / ITEMS SUPPLIED

- Hard plastic, black
- Highly wear-resistant
- Weight 0,420 kg/m
- Length 2 m

APPLICATIONS

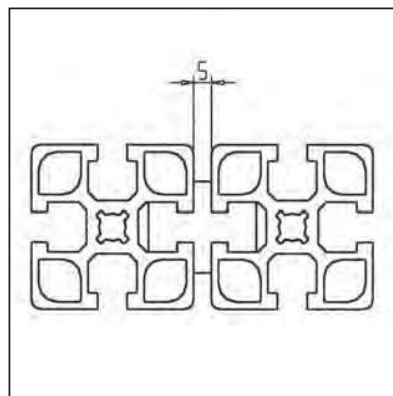
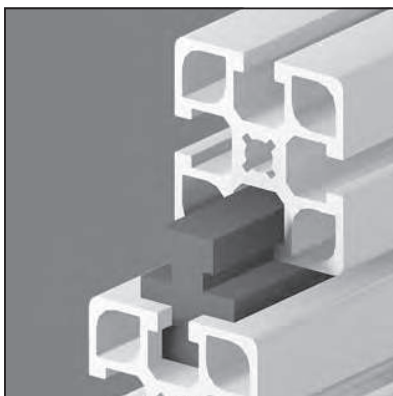
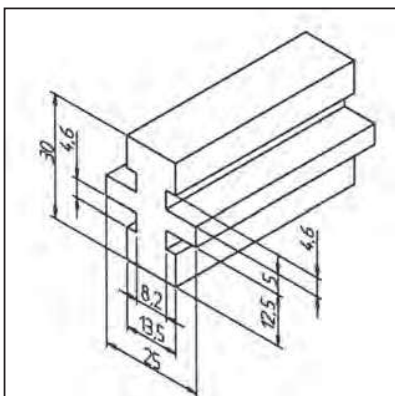
- Simple workpiece slides
- Guide for drawers

ASSEMBLY

- Slide the double slide unit into profile groove of frame and sliding element
- Secure the sliding element at both ends with hex socket cap screws M8 x 16

PARALLEL SLIDE BAR

part no. 22.1041/0



TECHN. DATA / ITEMS SUPPLIED

- Hard plastic, black
- Highly wear-resistant
- Weight 0,387 kg/m
- Length 2 m

APPLICATIONS

- Parallel guide without difference in height
- Sliding elements that are flush on the outside

ASSEMBLY

- Slide into profile groove
- If necessary, they can be locked on one side by means of straight pins M6 x 16



Profilex s.a.

6b, Z.I. In den Allern
L-9911 Troisvierges
Phone LU : +352 99 89 06
Phone BE : +32 28 88 16 29
Fax : +352 26 95 73 73

info@profilex-systems.com
www.profilex-systems.com